



# ROYALGEN RGM08Y

## SPARE PARTS CATALOG

Diesel Generator Set — 8 kW

**Engine:** Yanmar 3TNV80F-NGGE

**Catalog Reference:** RG-CAT-RGM08Y-001

**Revision:** A — April 2026



---

# How to Use This Catalog

This catalog provides a complete listing of spare parts for the Royalgen RGM08Y diesel generator set. It is organized by system and subsection to allow quick identification and ordering of replacement components.

## Reading the Part Numbering System

All Royalgen-specific parts use the standardized numbering format:

**RG-XX-YY-NNN**

- **RG** — Royalgen product line identifier
- **XX** — System code (2 letters, e.g., EN = Engine System)
- **YY** — Subsection number (2 digits)
- **NNN** — Sequential part number (3 digits)

## Locating Parts

Use the Table of Contents or the System Code Directory (next section) to navigate to the appropriate system section. Each subsection includes an exploded diagram placeholder, a parts table, and relevant remarks.

## Catalog Page Layout

Each subsection follows a consistent format:

1. **Section Heading** — identifies the assembly or subsystem
2. **Exploded Diagram** — illustration showing part locations and callout numbers
3. **Parts Table** — lists all components with part numbers, descriptions, quantities, and remarks
4. **Remarks Legend** — explains special notations such as over-sized or under-sized parts

## Ordering Information

- For **engine components** (Section 1), reference the **Yanmar Part No.** when ordering from Yanmar-authorized distributors.
- For **genset-specific parts** (Sections 2–10), reference the **RG Part No.** when ordering from Royalgen or authorized dealers.
- Always include the catalog reference number (**RG-CAT-RGM08Y-001**) and revision letter when placing orders.

## Warranty & Returns

### Warranty Notice

Royalgen warrants genuine replacement parts against defects in materials and workmanship for a period of twelve (12) months from the date of installation or eighteen (18) months from the date of shipment, whichever occurs first. Use of non-genuine parts may void the generator set warranty. All returns require a Return Material Authorization (RMA) number obtained from Royalgen Customer Support prior to shipment.

# Part Numbering System

The Royalgen part numbering system provides a structured, hierarchical identification scheme for all components in the RGM08Y generator set.

## Format

**RG-XX-YY-NNN**

Segment	Position	Description
<b>RG</b>	Prefix	Royalgen product line identifier
<b>XX</b>	System Code	Two-letter code identifying the major system (see directory below)
<b>YY</b>	Subsection	Two-digit subsection number within the system
<b>NNN</b>	Part Number	Three-digit sequential part number

**Example:** *RG-AL-02-015* = Royalgen → Alternator System → Subsection 02 (Bearings and Coupling) → Part 015

## System Code Directory

Code	System	Section	Subsections
<b>EN</b>	Engine System	Section 1	1.1 – 1.15
<b>AL</b>	Alternator	Section 2	2.1 – 2.4
<b>CH</b>	Chassis / Frame	Section 3	3.1 – 3.3
<b>FU</b>	Fuel System	Section 4	4.1 – 4.4
<b>EX</b>	Exhaust System	Section 5	5.1 – 5.3
<b>CO</b>	Cooling System	Section 6	6.1 – 6.3

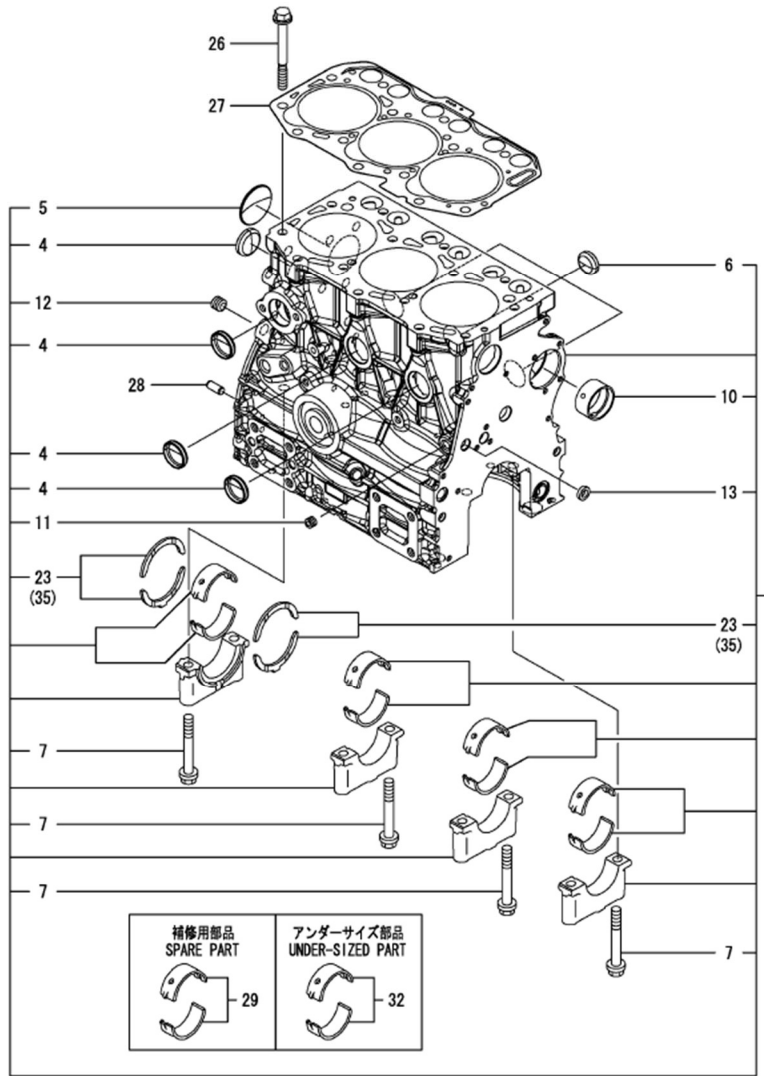
<b>Code</b>	<b>System</b>	<b>Section</b>	<b>Subsections</b>
<b>EL</b>	Electrical System	Section 7	7.1 – 7.5
<b>CT</b>	Controller	Section 8	8.1 – 8.5
<b>EC</b>	Enclosure	Section 9	9.1 – 9.4
<b>OP</b>	Options & Accessories	Section 10	10.1 – 10.5

---

## **Section 1: Engine System (EN)**

### **1.1 Cylinder Bloc (EN-01) — Yanmar Fig. 1**

Fig.1. CYLINDER BLOCK



Item No.	Lev.	Yanmar Part No.	Description	Qty	Remarks
1	1	119E00-01560	BLOCK ASSY, CYLINDER	1	
4	2	105311-01090	PLUG, 30	4	
5	2	119623-01250	PLUG, 45	1	
6	2	119285-01990	PLUG, 25	3	
7	2	119620-02020	BOLT, METAL CAP	8	
10	2	119717-02411	BUSH, CAMSHAFT	1	

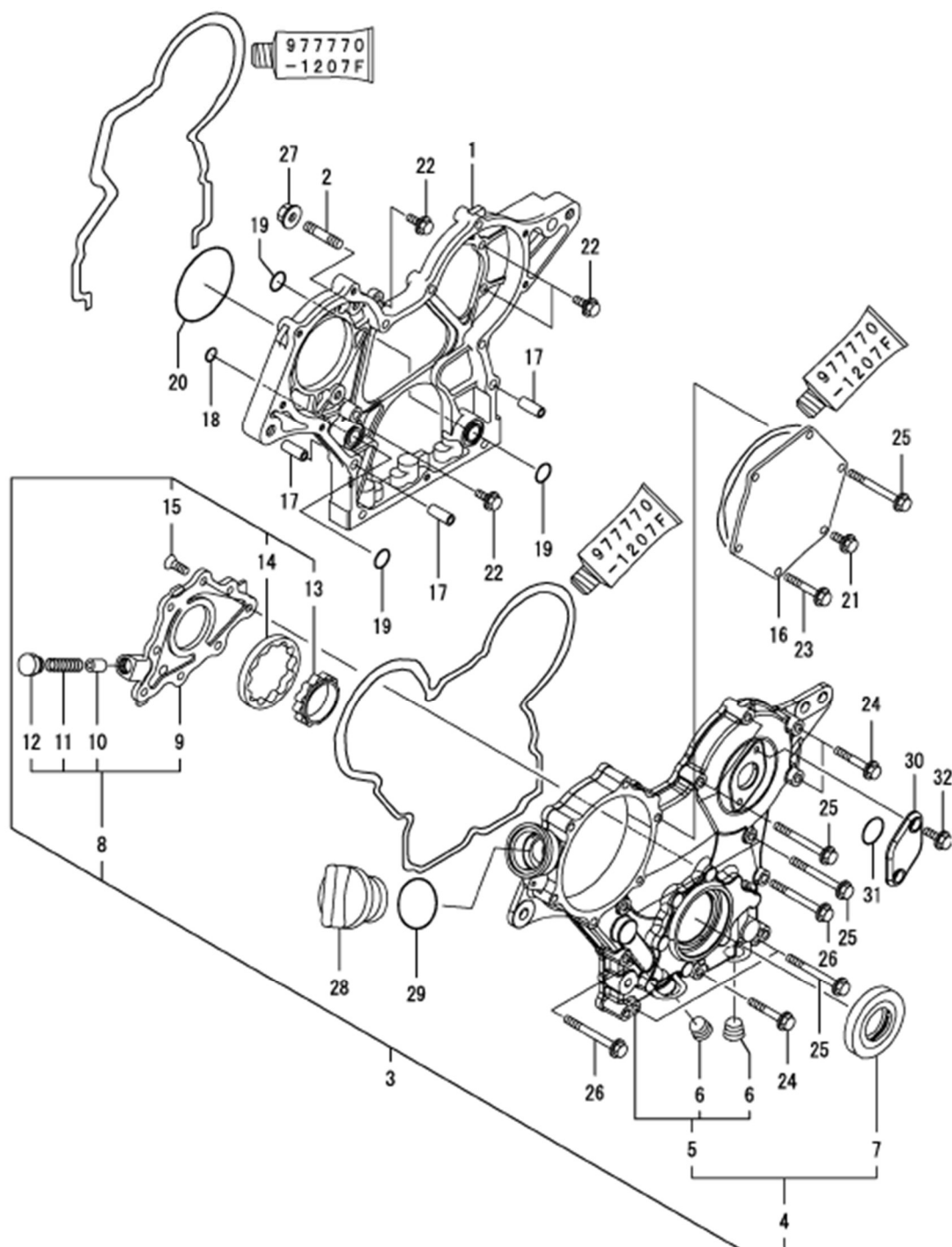
Item No.	Lev.	Yanmar Part No.	Description	Qty	Remarks
11	2	124060-01050	PLUG, PT1/8	1	
12	2	124160-01910	PLUG, PT1/4	1	
13	2	27241-120000	PLUG, 12	1	
23	2	119717-02930	BEARING, THRUST	2	
26	1	119810-01200	BOLT, HEAD	14	
27	1	119E10-01330	GASKET SET, HEAD	1	
28	1	129100-01580	PIN, 8X16	2	
29	1	719717-02901	BEARING, MAIN	4	(1)
32	1	719717-02911	BEARING, 0.25 US	4	(2)
35	1	119810-02941	BEARING, THRUST 0.25	2	(3)

**Remarks:** (1) Spare parts. (2) Under-sized (U.S.=0.25). (3) Over-sized (O.S.=0.25).

---

## 1.2 Gear Housing (EN-02) — Yanmar Fig. 2

Fig.2. GEAR HOUSING



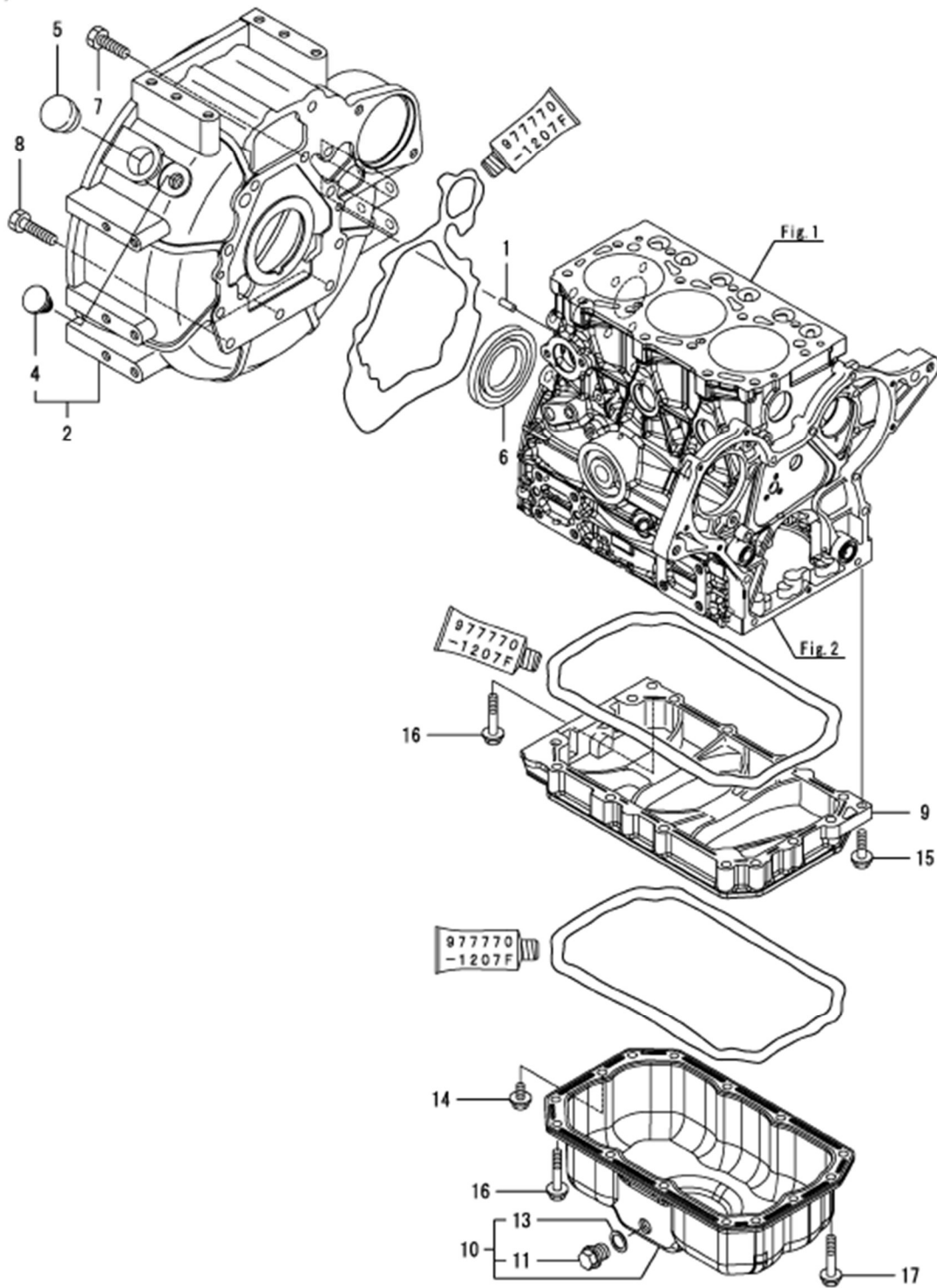
Item No.	Lev.	Yanmar Part No.	Description	Qty	Remarks
1	1	119717-01501	CASE, GEAR	1	
2	1	119717-01570	STUD	3	
3	1	119734-01580	CASE ASSY, GEAR	1	
4	2	719734-01510	CASE ASSY, GEAR	1	
5	3	119744-01521	COVER, GEAR CASE	1	
6	4	23876-030000	PLUG, R03	2	
7	3	119717-01800	SEAL, OIL	1	
8	2	119717-32100	COVER ASSY	1	
9	3	119717-32080	COVER	1	
10	3	129900-32130	VALVE, RELIEF	1	
11	3	129001-32320	SPRING	1	
12	3	129001-32330	PLUG	1	
13	2	119717-32110	ROTOR, INNER	1	
14	2	119717-32120	ROTOR, OUTER	1	
15	2	119802-32130	SCREW, M6X16	8	
16	1	119717-01750	COVER	1	
17	1	119660-01911	PIPE, KNOCK	4	
18	1	119624-32040	O-RING, P12.0	1	
19	1	119717-32050	O-RING, P17.0	3	
20	1	121850-51960	O-RING	1	
21	1	26106-060122	BOLT, M6X12 PLATED	1	
22	1	26106-060162	BOLT, M6X16 PLATED	4	
23	1	26106-060402	BOLT, M6X40 PLATED	4	
24	1	26106-060402	BOLT, M6X40 PLATED	3	
25	1	26106-060602	BOLT, M6X60 PLATED	7	
26	1	26106-060652	BOLT, M6X65 PLATED	2	
27	1	26306-080002	NUT, M8	3	

Item No.	Lev.	Yanmar Part No.	Description	Qty	Remarks
28	1	124160-01751	COVER, FILLER	1	
29	1	24311-000320	O-RING, 1AP32.0	1	
30	1	121023-01551	COVER	1	
31	1	24341-000240	O-RING, 1AS24.0	1	
32	1	26106-060162	BOLT, M6X16 PLATED	2	

---

**1.3 Flywheel Housing and Oil Sump (EN-03) — Yanmar Fig. 3**

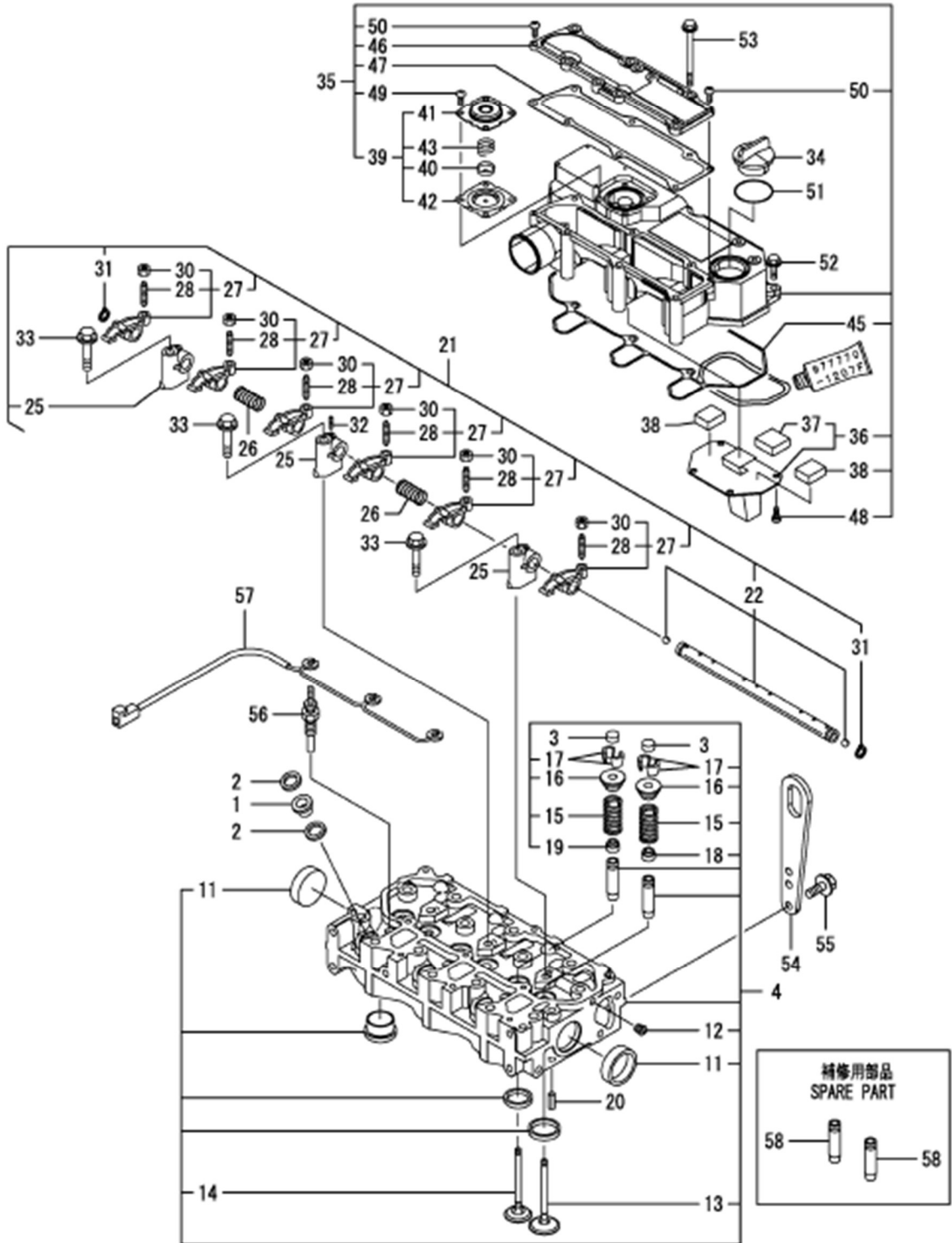
Fig.3. FLYWHEEL HOUSING & OIL SUMP



Item No.	Lev.	Yanmar Part No.	Description	Qty	Remarks
1	1	129100-01580	PIN, 8X16	2	
2	1	119717-01611	HOUSING, FLYWHEEL	1	
4	2	119888-01850	PLUG, RUBBER	1	
5	1	119620-01750	CAP	1	
6	1	124085-02220	SEAL, OIL	1	
7	1	26206-100252	BOLT, M10X25 PLATED	8	
8	1	26206-100302	BOLT, M10X30 PLATED	3	
9	1	119717-01720	SPACER, OIL SUMP	1	
10	1	119717-01770	SUMP ASSY, OIL	1	
11	2	105425-01690	PLUG, 16	1	
13	2	22190-160002	WASHER, SEAL 16	1	
14	1	26106-080122	BOLT, M8X12 PLATED	1	
15	1	26106-080302	BOLT, M8X30 PLATED	1	
16	1	26106-080452	BOLT, M8X45 PLATED	11	
17	1	26106-080502	BOLT, M8X50 PLATED	3	

## **1.4 Cylinder Head and Bonnet (EN-04) — Yanmar Fig. 4**

Fig.4. CYLINDER HEAD & BONNET



Item No.	Lev.	Yanmar Part No.	Description	Qty	Remarks
1	1	129901-11450	PROTECTOR, NOZZLE	3	
2	1	119600-11460	GASKET, NOZZLE	6	
3	1	105010-11490	CAP, VALVE	6	
4	1	119E10-11750	HEAD ASSY, CYLINDER	1	
11	2	119285-11990	PLUG, 35	2	
12	2	23876-005000	PLUG, R005	1	
13	2	119E10-11100	VALVE, INTAKE	3	
14	2	119E10-11110	VALVE, EXHAUST	3	
15	2	119717-11131	SPRING, VALVE	6	
16	2	129508-11180	RETAINER, SPRING	6	
17	2	119717-11190	COTTER, VALVE	12	
18	2	119717-11340	SEAL, VALVE STEM	3	
19	2	119717-11350	SEAL, VALVE STEM	3	
20	1	22351-060012	PIN, SPRING 6.0X12	2	
21	1	119717-11200	SUPPORT ASSY, ROCKER	1	
22	2	119717-11240	SHAFT ASSY, ARM	1	
25	2	119717-11260	SUPPORT, ROCKER ARM	3	
26	2	119620-11280	SPRING, SHAFT	2	
27	2	119717-11650	ARM ASSY, ROCKER INT	6	
28	3	129150-11230	SCREW, VALVE ADJUST	6	
30	3	129150-11750	NUT, M8XP1.0	6	
31	2	22242-000120	RING, 12	2	
32	2	26979-050162	SCREW, M5X16	1	
33	1	26106-080402	BOLT, M8X40 PLATED	3	
34	1	124160-01751	CAP, FILLER	1	
35	1	119717-11381	BONNET ASSY, HEAD	1	
36	2	119717-03031	PLATE, BAFFLE	1	

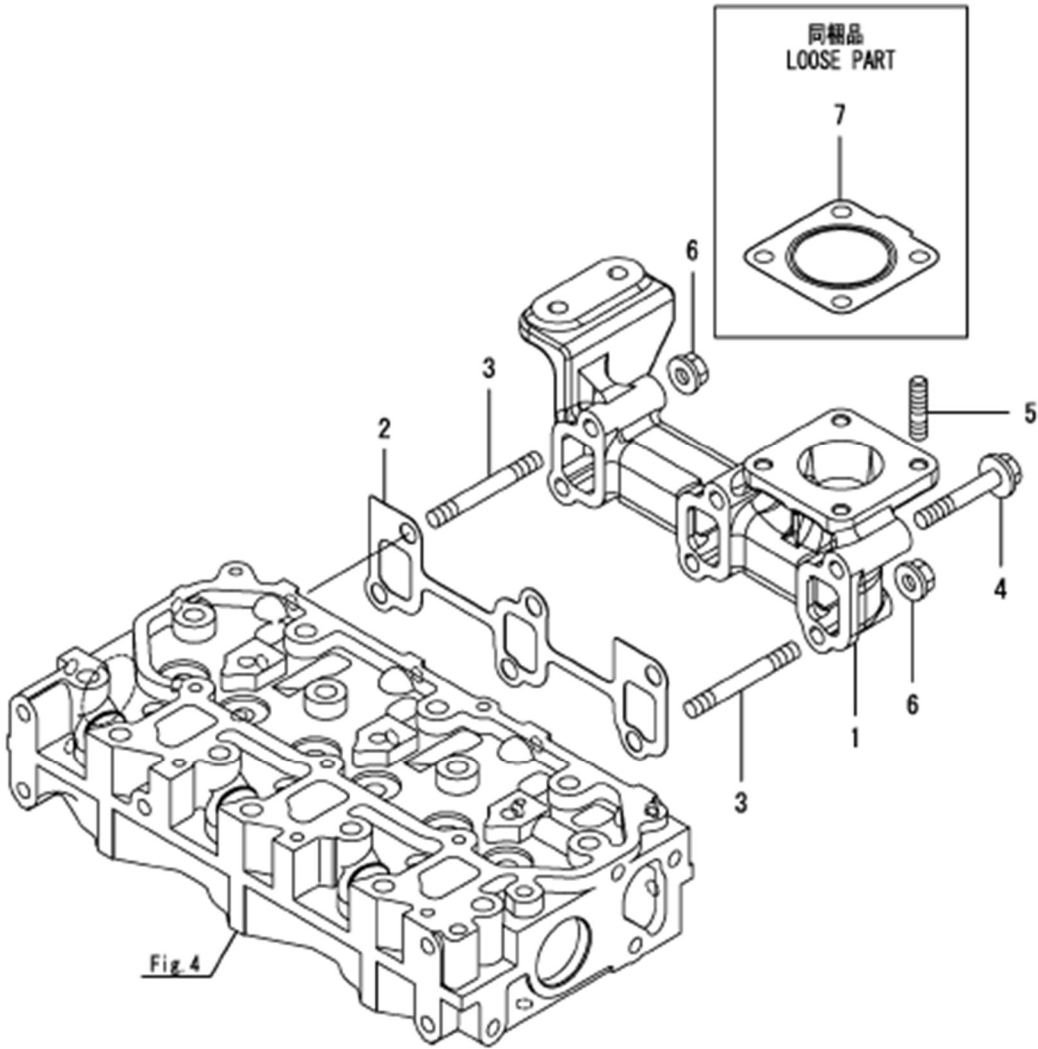
Item No.	Lev.	Yanmar Part No.	Description	Qty	Remarks
37	3	119717-03070	BAFFLE, BREATHER	1	
38	2	119717-03070	BAFFLE, BREATHER	2	
39	2	119802-03100	DIAPHRAGM ASSY	1	
40	3	119802-03110	PLATE, DIAPHRAGM	1	
41	3	119802-03121	COVER, DIAPHRAGM	1	
42	3	119802-03131	DIAPHRAGM, BREATHER	1	
43	3	119802-03141	SPRING, DIAPHRAGM	1	
45	2	119718-11310	GASKET, BONNET	1	
46	2	119717-11320	COVER, BONNET	1	
47	2	119717-11331	GASKET, BONNET COVER	1	
48	2	22857-500100	SCREW, 5X10	4	
49	2	22857-500100	SCREW, 5X10	4	
50	2	22857-500160	SCREW, 5X16	2	
51	1	24311-000320	O-RING, 1AP32.0	1	
52	1	26106-060202	BOLT, M6X20 PLATED	3	
53	1	26106-060752	BOLT, M6X75 PLATED	6	
54	1	129900-07900	LIFTER, ENGINE	1	
55	1	26106-080162	BOLT, M8X16 PLATED	2	
56	1	119717-77801	PLUG, GLOW	3	
56-1	1	119717-77810	PLUG, GLOW 12V	3	New (2023.06)
57	1	119717-77820	CONNECTOR, GLOW PLUG	1	
58	1	119717-11800	GUIDE, VALVE	6	(1)

**Remarks:** (1) Spare parts.

# 1.5 Exhaust Manifold (EN-05) — Yanmar Fig. 5

0CD50-M00550 3TNV80F-NGGE

Fig.5. EXHAUST MANIFOLD



Item No.	Lev.	Yanmar Part No.	Description	Qty	Remarks
1	1	119717-13109	MANIFOLD, EXHAUST	1	
2	1	119717-13110	GASKET	1	
3	1	119717-13600	STUD, M8X50	2	
4	1	119802-13620	BOLT, M8X50	4	
5	1	119131-18320	STUD, M8X22	4	
6	1	26306-080002	NUT, M8	2	
7	1	119515-13200	GASKET, SILENCER	1	

---

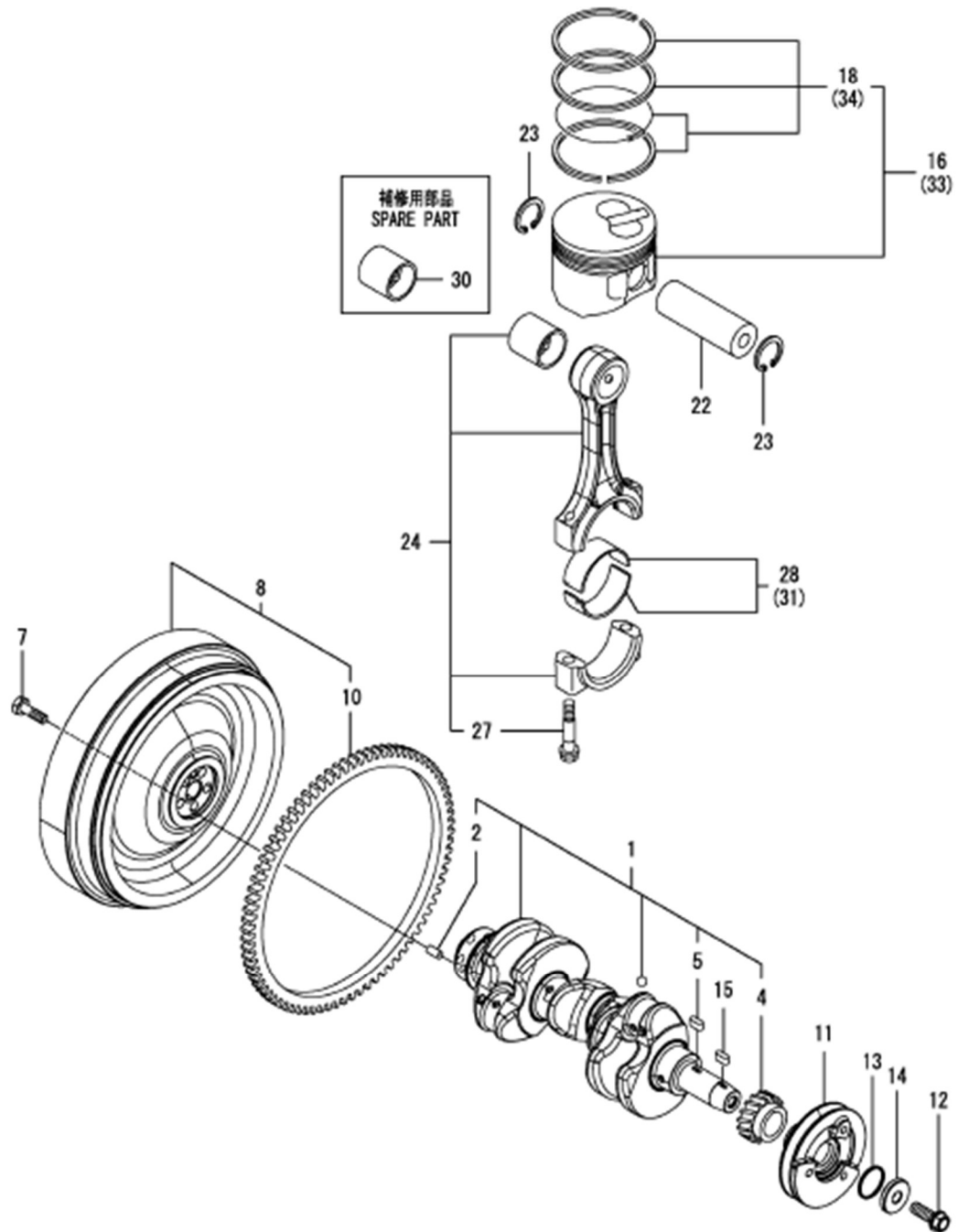


Item No.	Lev.	Yanmar Part No.	Description	Qty	Remarks
1	1	119620-14200	TAPPET	6	
2	1	119717-14400	ROD, PUSH	6	
3	1	119717-14581	CAMSHAFT ASSY	1	
8	1	26106-060122	BOLT, M6X12 PLATED	2	
9	1	119717-25050	SHAFT, IDLE	1	
10	1	119717-25101	GEAR ASSY, IDLE	1	
13	1	26106-060352	BOLT, M6X35 PLATED	3	
14	1	129150-25301	BOLT	4	
15	1	119717-25930	GEAR, PUMP	1	
16	1	119717-51150	FLANGE	1	
17	1	119717-25911	BUSH, IDLE GEAR	1	(1)

**Remarks:** (1) Spare parts.

## **1.7 Crankshaft and Piston (EN-07) — Yanmar Fig. 7**

Fig.7. CRANKSHAFT & PISTON



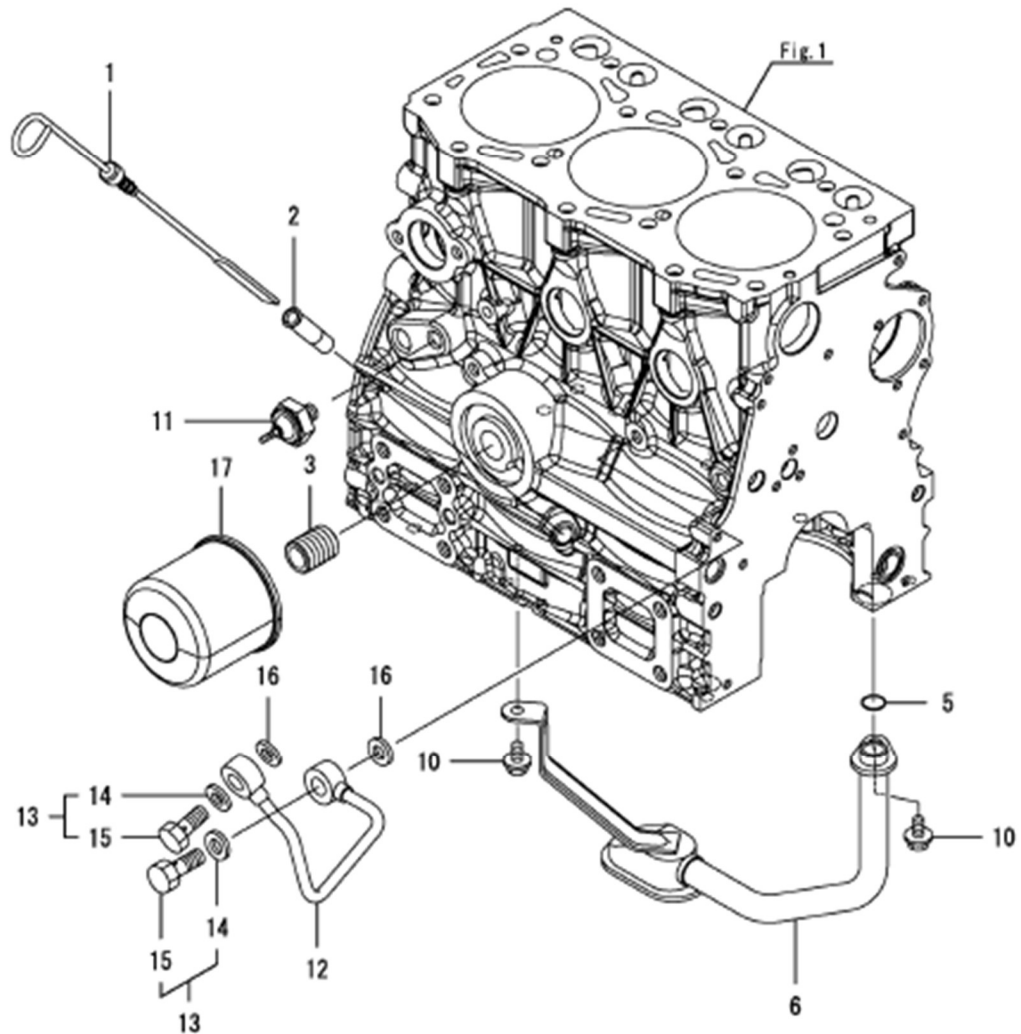
Item No.	Lev.	Yanmar Part No.	Description	Qty	Remarks
1	1	119E10-21700	CRANKSHAFT ASSY	1	
2	2	129100-01580	PIN, 8X16	1	
4	2	119717-21200	GEAR, CRANKSHAFT	1	
5	2	22512-040120	KEY, 4X12	1	
7	1	121111-21501	BOLT, FLYWHEEL	5	
8	1	119E17-21570	FLYWHEEL ASSY	1	
10	2	119865-21600	GEAR, RING	1	
11	1	119C10-21650	V-PULLEY, CRANKSHAFT	1	
12	1	119621-21681	BOLT, FLANGE 12X1.25	1	
13	1	119C10-21930	PACKING, WASHER	1	
14	1	119C10-21940	WASHER, V-PULLEY	1	
15	1	22512-040120	KEY, 4X12	1	
16	1	119E10-22080	PISTON ASSY	3	
18	2	119E10-22500	RING ASSY	3	
22	1	119E10-22300	PIN, PISTON	3	
23	1	22252-000220	RING, 22	6	
24	1	119E10-23000	ROD ASSY, CONNECTING	3	
27	2	119717-23200	BOLT, CONNECTING ROD	6	
28	1	119717-23601	BEARING, CRANK PIN	3	
30	1	119717-23910	BEARING, PISTON PIN	3	(1)
31	1	119717-23611	METAL ASSY, 0.25	3	(2)
33	1	119E10-22900	PISTON ASSY, 0.25 OS	3	(3)
34	2	119E10-22550	RING ASSY, 0.25	3	(3)

**Remarks:** (1) Spare parts. (2) Under-sized (U.S.=0.25). (3) Over-sized (O.S.=0.25).

## 1.8 Lub. Oil System (EN-08) — Yanmar Fig. 8

OCD50-M00550 3TNV80F-NGGE

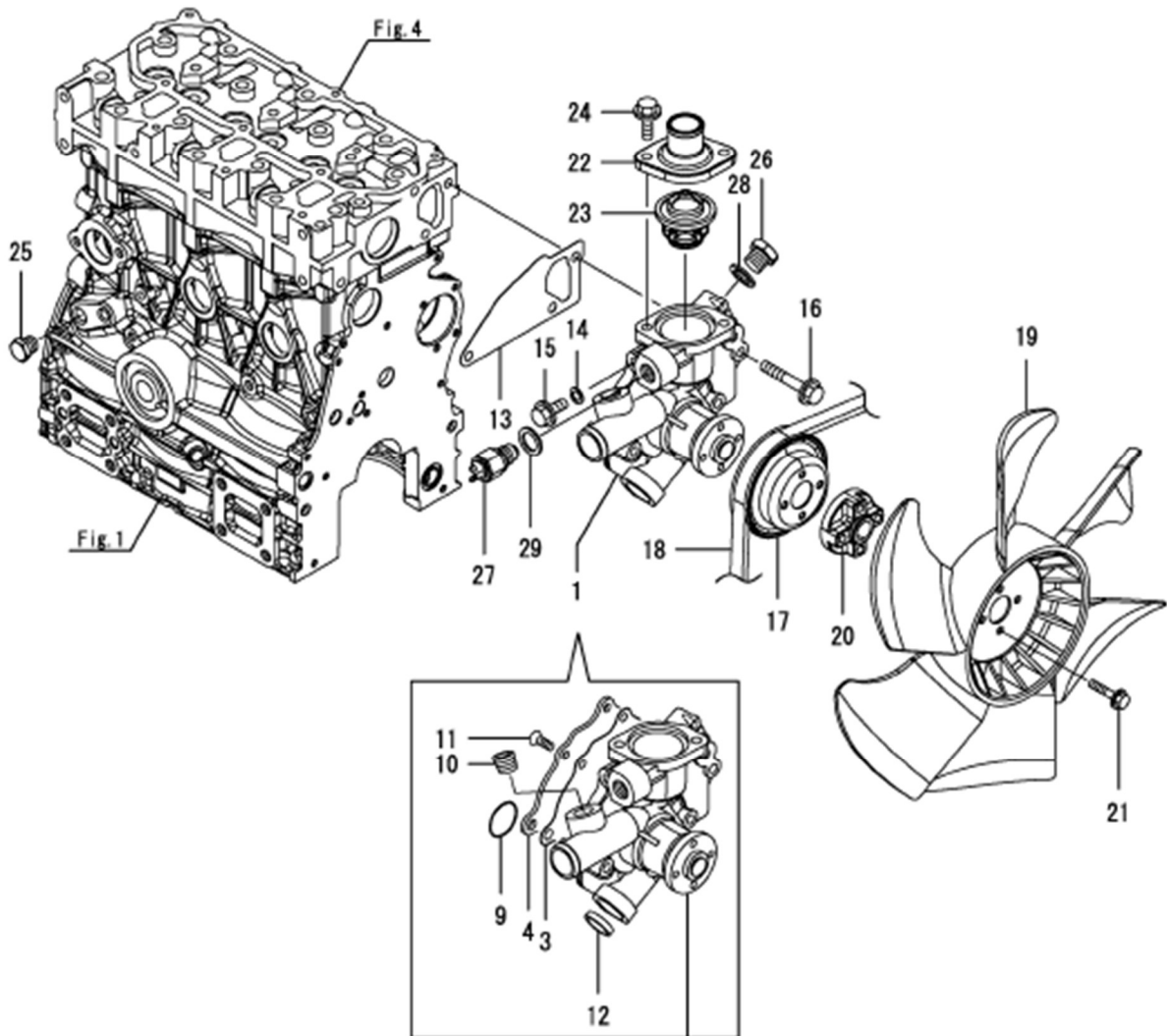
Fig.8. LUB. OIL SYSTEM



Item No.	Lev.	Yanmar Part No.	Description	Qty	Remarks
1	1	119717-34801	DIPSTICK, OIL	1	
2	1	121520-34810	GUIDE, DIPSTICK	1	
3	1	119717-35140	STUD	1	
3-1	1	119417-35140	STUD, LO FILTER	1	New (E90882)
5	1	119717-32060	O-RING, P15.0	1	
6	1	119717-35080	PIPE ASSY, OIL INLET	1	
10	1	26106-060102	BOLT, M6X10 PLATED	2	
11	1	114250-39450	SWITCH, HYDRAULIC	1	
12	1	119717-39210	PIPE, PUMP	1	
13	1	129005-59830	BOLT ASSY, JOINT M8	2	
14	2	22190-080002	WASHER, SEAL 8	2	
15	2	23857-030000	BOLT, JOINT 3	2	
16	1	22190-080002	WASHER, SEAL 8	2	
17	1	119305-35170	FILTER ASSY, D68XL65	1	

**1.9 Cooling Water System (EN-09) — Yanmar Fig. 9**

Fig.9. COOLING WATER SYSTEM



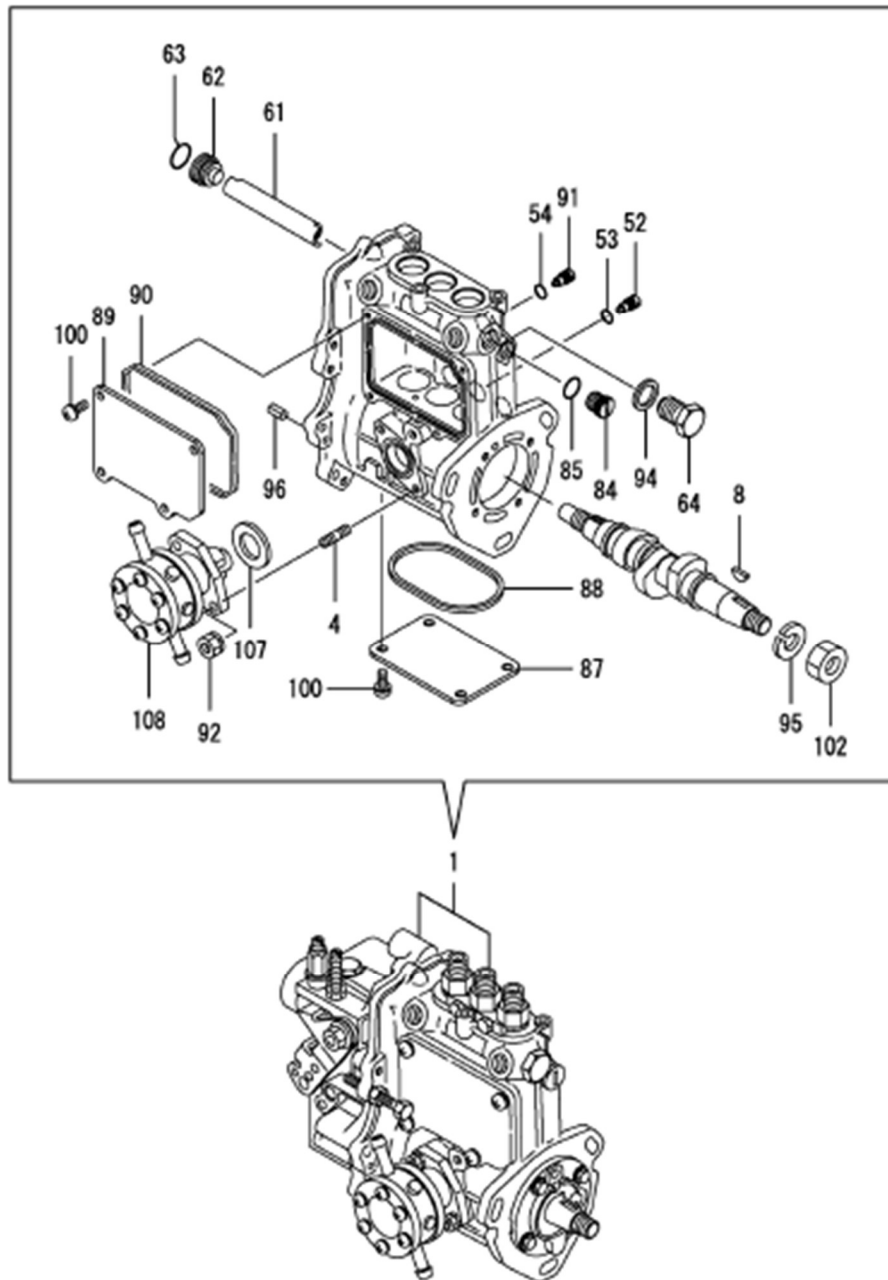
Item No.	Lev.	Yanmar Part No.	Description	Qty	Remarks
1	1	119E10-42000	PUMP ASSY, WATER	1	

Item No.	Lev.	Yanmar Part No.	Description	Qty	Remarks
3	2	119717-42031	GASKET	1	
4	2	119717-42041	COVER	1	
9	2	119C10-42320	O-RING, 2028	1	
10	2	129916-49740	PLUG, R03	1	
11	2	26577-060122	SCREW, M6X12	4	
12	2	27241-250000	PLUG, 25	1	
13	1	119717-42020	GASKET, WATER PUMP	1	
14	1	23414-080000	GASKET, 8X1.0	1	
15	1	26106-080122	BOLT, M8X12 PLATED	1	
16	1	26106-080502	BOLT, M8X50 PLATED	3	
17	1	119717-42350	V-PULLEY, D=100	1	
18	1	25132-003600	V-BELT, A36	1	
19	1	171340-44740	FAN, COOLING D335XNF	1	
20	1	121267-44760	SPACER	1	
21	1	26106-060302	BOLT, M6X30 PLATED	4	
22	1	129350-49530	COVER, THERMOSTAT	1	
23	1	119717-49800	THERMOSTAT, 71	1	
24	1	26106-080202	BOLT, M8X20 PLATED	2	
25	1	171056-49120	PLUG, DRAIN	1	
26	1	121450-42450	PLUG, M16	1	
27	1	121250-44901	SWITCH, 110	1	
28	1	124465-44950	GASKET, 16	1	
29	1	124465-44950	GASKET, 16	1	

## 1.10 Fuel Injection Pump (EN-10) — Yanmar Fig. 10

OCD50-M00550 3TNV80F-NGGE

Fig.10. FUEL INJECTION PUMP



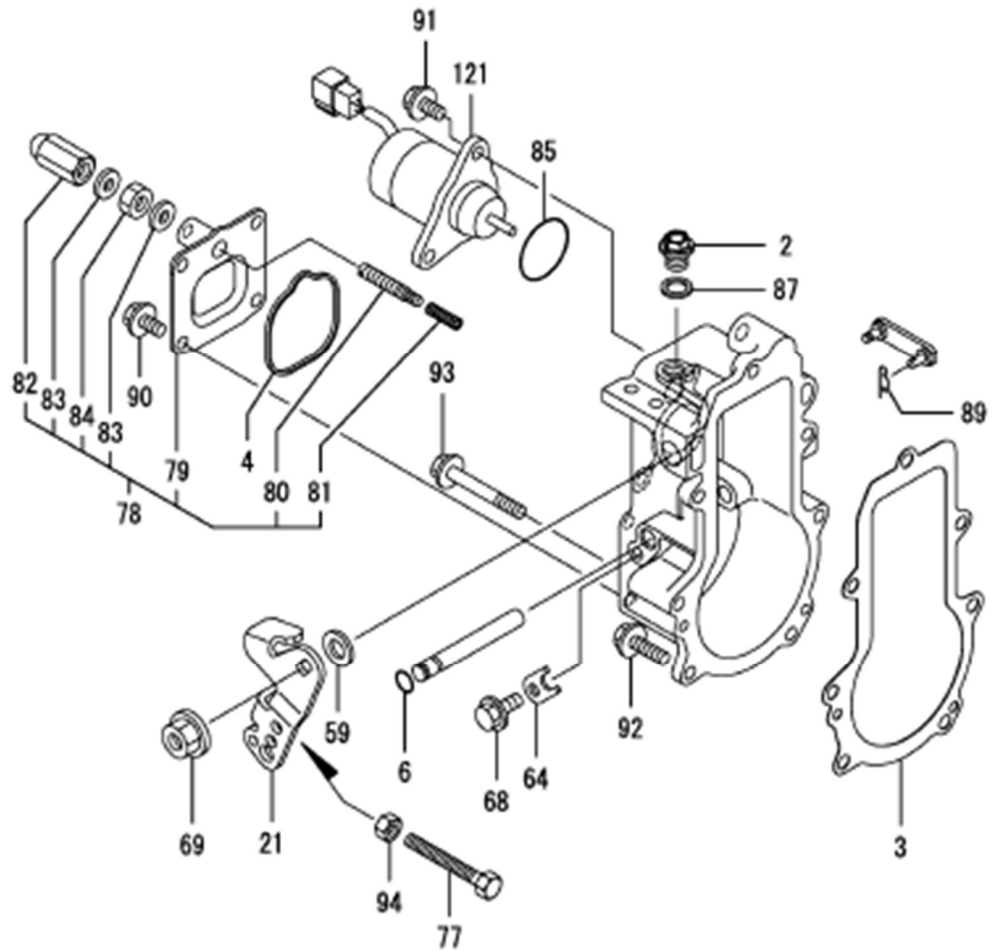
Item No.	Lev.	Yanmar Part No.	Description	Qty	Remarks
1	1	719E46-51300	FIE ASSY	1	(1)
4	2	129155-51020	STUD	2	
8	2	122710-51090	KEY	1	
52	2	158600-51270	STOPPER, TAPPET	3	
53	2	129155-51280	O-RING, S6	3	
54	2	129155-51280	O-RING, S6	1	
61	2	129155-51400	DEFLECTOR	1	
62	2	158600-51410	PLUG, DEFLECTOR	1	
63	2	119717-51420	O-RING	1	
64	2	158600-51420	PLUG, DEFLECTOR	1	
84	2	158600-51570	PLUG	1	
85	2	129155-51580	O-RING	1	
87	2	129155-51701	COVER	1	
88	2	119717-51711	GASKET	1	
89	2	119717-51750	COVER	1	
90	2	119717-51761	GASKET	1	
91	2	158600-51790	STOPPER, RACK	1	
92	2	119717-51860	NUT, M6	2	
94	2	22190-160002	WASHER, SEAL 16	1	
95	2	22217-120000	WASHER, SPRING 12	1	
96	2	22351-050010	PIN, SPRING 5.0X10	2	
100	2	26022-050122	SCREW, M5X12	8	
102	2	26716-120002	NUT, M12	1	
107	2	129155-52051	GASKET	1	
108	2	129100-52101	PUMP ASSY, FUEL FEED	1	

**Remarks:** (1) Governor (Fig. 11) incorporated.

## 1.11 Governor (EN-11) — Yanmar Fig. 11

OCD50-M00550 3TNV80F-NGGE

Fig.11. GOVERNOR

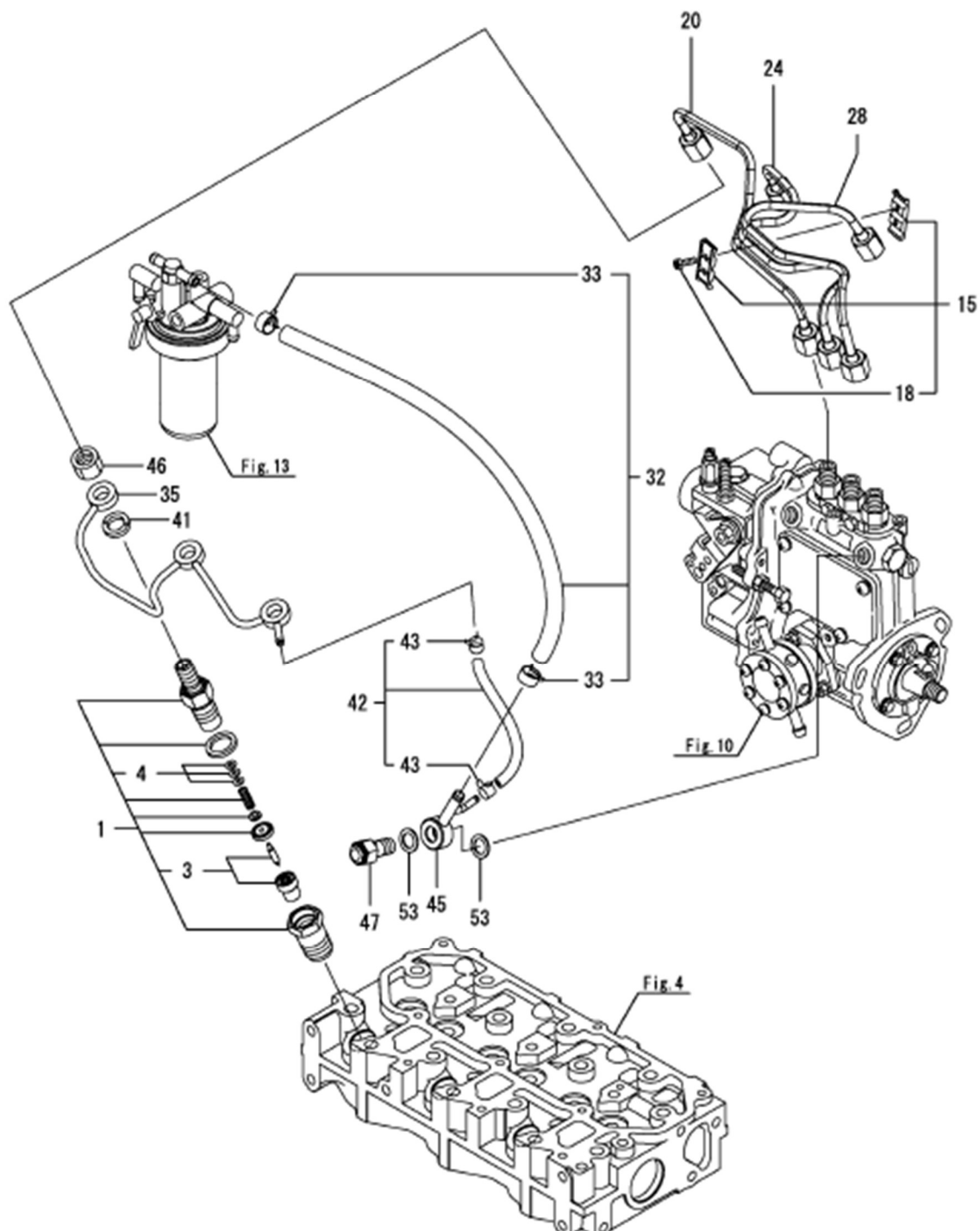


Item No.	Lev.	Yanmar Part No.	Description	Qty	Remarks
2	2	119717-51930	PLUG, M10	1	
3	2	119717-61050	GASKET	1	
4	2	119717-61070	GASKET	1	
6	2	129155-51280	O-RING, S6	1	
21	2	119746-61440	LEVER, CONTROL	1	
59	2	158552-61700	SHIM SET	1	
64	2	119660-61901	RETAINER, SHAFT	1	
68	2	26106-060102	BOLT, M6X10 PLATED	1	
69	2	26366-080002	NUT, M8	1	
77	2	129155-61460	BOLT, IDLE	1	
78	2	119746-61600	COVER ASSY	1	
79	3	119746-61060	COVER, GOVERNOR CASE	1	
80	3	119645-61070	SCREW	1	
81	3	119746-61080	SPRING	1	
82	3	119600-66840	NUT, CAP	1	
83	3	22190-060003	SEAL WASHER 6	2	
84	3	26756-060002	NUT, LOCK M6	1	
85	2	158552-61900	O-RING	1	
87	2	22190-100002	WASHER, SEAL 10	1	
89	2	22372-040000	PIN, SNAP 4	1	
90	2	26106-060102	BOLT, M6X10 PLATED	4	
91	2	26106-060142	BOLT, M6X14 PLATED	2	
92	2	26106-060202	BOLT, M6X20 PLATED	4	
93	2	26106-060452	BOLT, M6X45 PLATED	3	
94	2	26756-060002	NUT, LOCK M6	1	
121	2	119653-77950	SOLENOID, STOP	1	

---

## **1.12 Fuel Injection Valve (EN-12) — Yanmar Fig. 12**

Fig.12. FUEL INJECTION VALVE



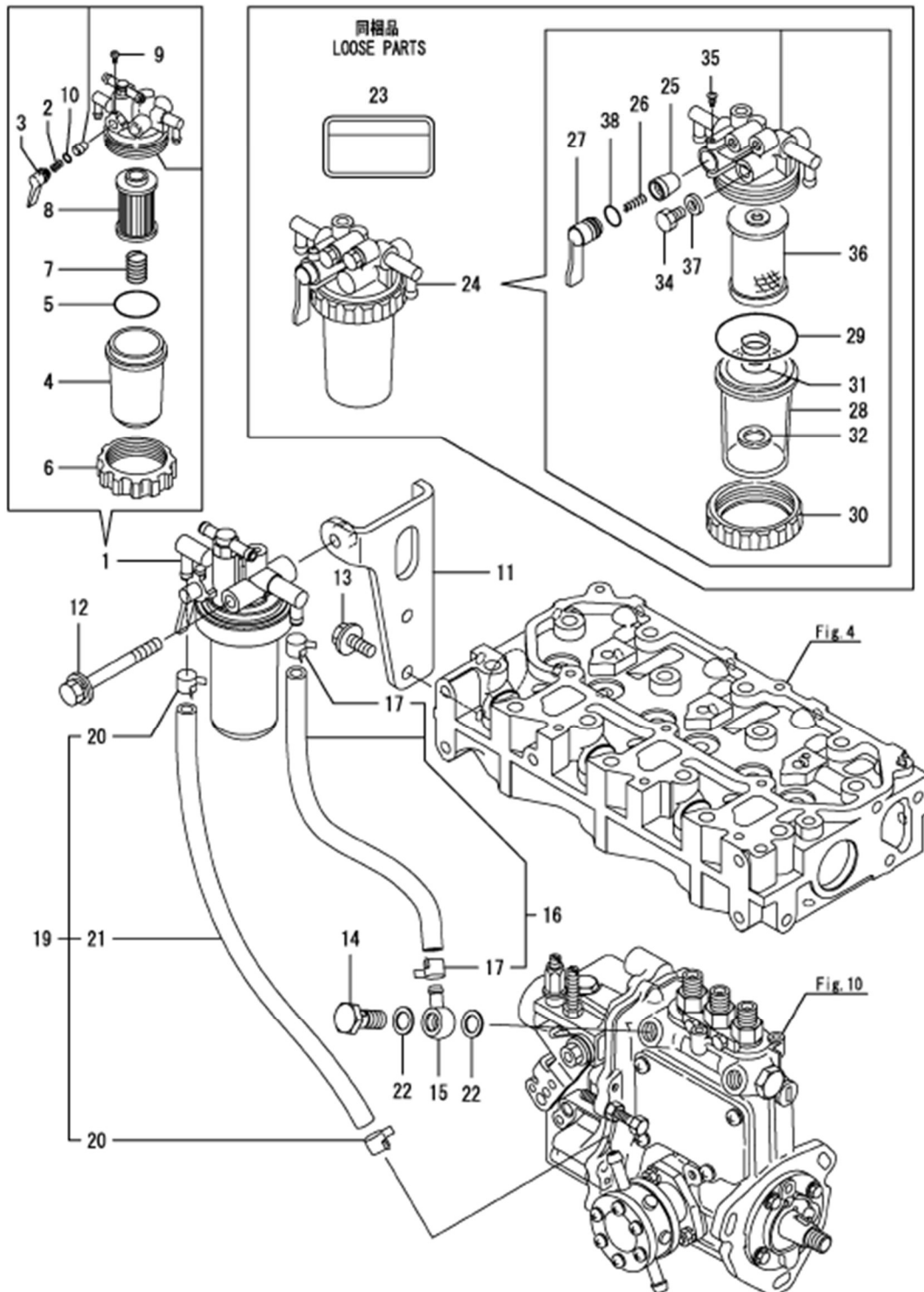
Item No.	Lev.	Yanmar Part No.	Description	Qty	Remarks
1	1	119517-53001	VALVE ASSY, INJECTION	3	
3	2	119517-53010	NOZZLE ASSY	3	
4	2	129901-53800	SHIM SET, ADJUSTING	3	(1)
15	1	129150-59120	RETAINER, PIPE	1	
18	2	129150-59131	BOLT, M4X14	2	
20	1	119E10-59810	PIPE ASSY, INJ. NO1	1	
24	1	119E10-59820	PIPE ASSY, INJ. NO2	1	
28	1	119E10-59830	PIPE ASSY, INJ. NO3	1	
32	1	129210-59170	PIPE ASSY, FUEL	1	
33	2	124766-59050	CLIP, HOSE 11.5	2	
35	1	119717-59510	PIPE ASSY, RETURN	1	
41	1	129901-59560	GASKET	3	
42	1	119540-59570	PIPE ASSY, RETURN	1	
43	2	124066-59100	CLIP, HOSE 8	2	
45	1	119840-59570	JOINT	1	
46	1	119620-59700	NUT, NOZZLE	3	
47	1	119813-59950	VALVE ASSY, CHECK	1	
53	1	22190-120002	WASHER, SEAL 12	2	

**Remarks:** (1) Spare parts.

# 1.13 Fuel Pipe (EN-13) — Yanmar Fig. 13

OCD50-M00550 3TNV80F-NGGE

Fig.13. FUEL PIPE



Item No.	Lev.	Yanmar Part No.	Description	Qty	Remarks
1	1	119833-55621	FILTER ASSY, FUEL	1	
2	2	104200-55330	SPRING, FUEL VALVE	1	
3	2	128104-55430	LEVER, FUEL	1	
4	2	121254-55510	CUP, FUEL STARINER	1	
5	2	101203-55820	O-RING, FILTER	1	
6	2	102050-55810	RING, CUP RETAINING	1	
7	2	121250-55620	SPRING, ELEMENT	1	
8	2	119810-55850	ELEMENT, FUEL FILTER	1	
9	2	104200-55750	SCREW, M4	1	
10	2	24311-240100	O-RING, 1AP10A	1	
11	1	119717-55650	BRACKET, FILTER	1	
12	1	28014-080702	BOLT, M8X70	2	
13	1	28108-080182	BOLT, M8X18 PLATED	2	
14	1	103854-39140	BOLT, PIPE JOINT	1	
15	1	101304-59020	JOINT, PIPE 12	1	
16	1	129210-59080	HOSE ASSY, FUEL L270	1	
17	1	142786-59050	CLAMP, HOSE 11.5	1	

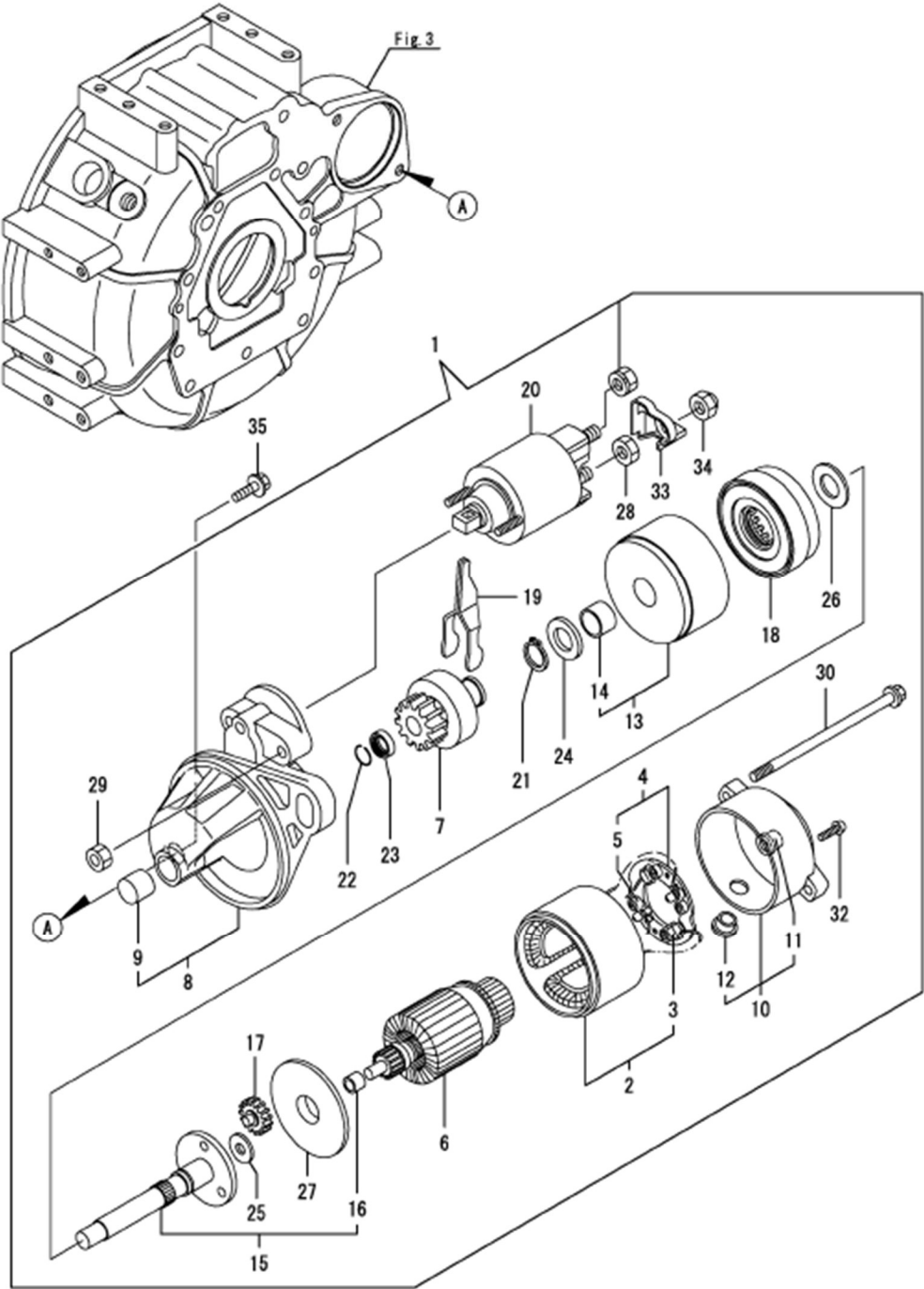
Item No.	Lev.	Yanmar Part No.	Description	Qty	Remarks
18	1	129210-59170	HOSE ASSY, FUEL L440	1	
19	1	129210-59170	HOSE ASSY, FUEL L440	1	
20	2	124766-59050	CLAMP, HOSE 11.5	1	
21	2	105225-59511	HOSE, FUEL	1	
22	1	114110-07761	LABEL, FUEL CAUTION	1	
23-1	1	114110-07762	LABEL, CAUTION FUEL (A=E80084)	1	N
24	1	129335-55701	SEPARATOR ASSY, WATER	1	
25	2	104200-55321	VALVE, TAPER	1	
26	2	104200-55330	SPRING, FUEL VALVE	1	
27	2	104204-55341	HANDLE, COCK	1	
28	2	121254-55510	CUP, FUEL STARINER	1	
29	2	101203-55820	O-RING, FILTER	1	
30	2	102050-55810	RING, CUP RETAINING	1	
31	2	121257-55720	SPRING, ELEMENT	1	
32	2	121257-55731	FLOAT	1	
33	2	101706-55750	PLUG, HEXAGON M6	1	
34	2	104200-55750	SCREW, M4	1	

Item No.	Lev.	Yanmar Part No.	Description	Qty	Remarks
35	2	119810-55610	FILTER, FUEL 100M	1	
36	2	23418-060000	GASKET, 6X1.0	1	
37	2	24311-240100	O-RING, 1AP10A	1	

---

# 1.14 Starter Motor (EN-14) — Yanmar Fig. 14

OCD50-M00550 3TNV80F-NGGE  
Fig.14. STARTER MOTOR

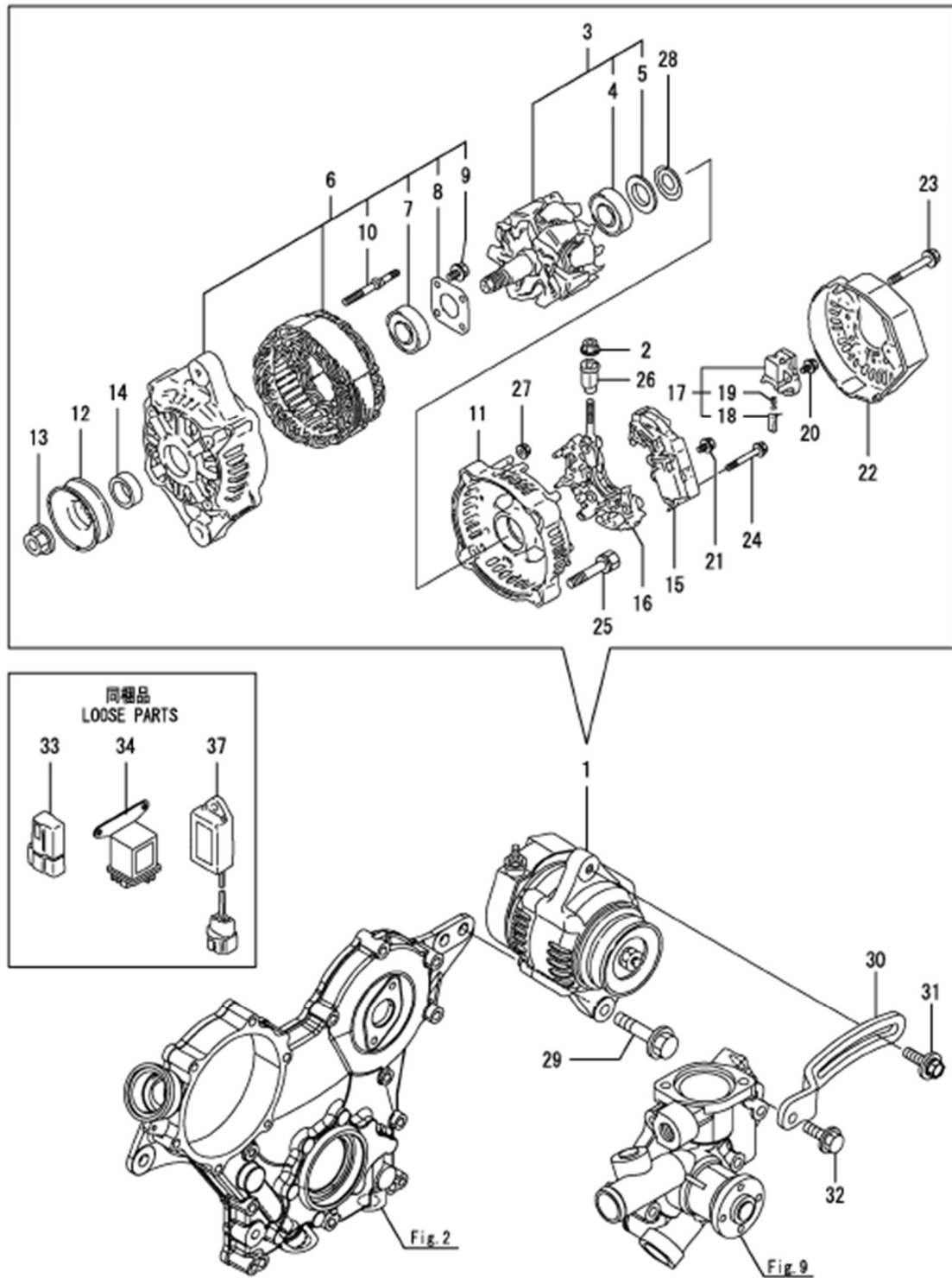


Item No.	Lev.	Yanmar Part No.	Description	Qty	Remarks
1	1	119717-77010	STARTER, P1.1	1	
2	2	X0281007750	YOKE ASSY	1	
3	3	X0280996180	STARTER KIT	2	
4	2	X0285105190	HOLDER ASSY	1	
5	3	X0285205030	SPRING	4	
6	2	X0282005991	ARMATURE ASSY	1	
7	2	X0283006960	CLUTCH ASSY	1	
8	2	X4284001590	HOUSING ASSY	1	
9	3	X9491050100	BEARING, NEEDLE	1	
10	2	X0285007030	FRAME ASSY	1	
11	3	X9491040990	BEARING	1	
12	3	X0280626010	COVER	1	
13	2	X0284105040	BEARING ASSY	1	
14	3	X9491034330	BEARING	1	
15	2	X0286105010	SHAFT ASSY	1	
16	3	X9491034320	BEARING	1	
17	2	X0286305010	GEAR	3	
18	2	X0286355010	GEAR	1	
19	2	X0287405140	LEVER	1	
20	2	X2534000090	SWITCH ASSY	1	
21	2	X9055715000	RING	1	
22	2	X9490721360	RING	1	
23	2	X0280210331	NUT	1	
24	2	X9490138110	WASHER	1	
25	2	X9490138090	WASHER	1	

Item No.	Lev.	Yanmar Part No.	Description	Qty	Remarks
26	2	X9490138100	WASHER	1	
27	2	X0284525010	PLATE	1	
28	2	X9490562360	NUT	1	
29	2	X9490560750	NUT	2	
30	2	X9490423420	BOLT, THROUGH	2	
32	2	X9490065670	SCREW, M4X6	2	
33	2	X1280330020	COVER, TERMINAL	1	
34	2	X1289510130	NUT	1	
35	1	26106-100252	BOLT, M10X 25 PLATED	2	

## **1.15 Generator (EN-15) — Yanmar Fig. 15**

Fig.15. GENERATOR



Item No.	Lev.	Yanmar Part No.	Description	Qty	Remarks
1	1	129423-77200	GENERATOR, 12V-40A	1	
2	2	X9490561001	NUT	1	
3	2	119620-77380	ROTOR ASSY	1	
4	3	123501-79240	BEARING, BALL	1	
5	3	119620-79250	COVER	1	
6	2	119620-77421	FRAME ASSY, DRIVE	1	
7	3	119620-79200	BEARING, BALL	1	
8	3	119620-79210	PLATE, RETAINER	1	
9	3	119620-79220	SCREW	4	
10	3	119620-79230	STUD	2	
11	2	119620-77440	FRAME ASSY	1	
12	2	119620-77461	PULLEY	1	
13	2	119620-77471	NUT	1	
14	2	119620-77490	COLLAR	1	
15	2	129423-77710	REGULATOR ASSY	1	
16	2	119620-79260	HOLDER	1	
17	2	129052-79270	HOLDER, BRUSH	1	
18	3	119620-77480	BRUSH ASSY	2	
19	3	119620-79280	SPRING	2	
20	2	119620-79290	SCREW	6	
21	2	119620-79300	SCREW	1	
22	2	129240-79300	COVER	1	
23	2	119620-79310	BOLT	3	
24	2	119620-79320	SCREW	2	

Item No.	Lev.	Yanmar Part No.	Description	Qty	Remarks
25	2	119620-79330	BOLT	2	
26	2	119620-79340	BUSH, INSULATION	1	
27	2	119620-79350	NUT	2	
28	2	119620-79360	WASHER, THRUST	1	
29	1	26106-100452	BOLT, M10X 45 PLATED	1	
30	1	119717-77330	ADJUSTER	1	
31	1	119810-77340	BOLT, ADJUSTER	1	
32	1	26106-080202	BOLT, M8X 20 PLATED	1	
33	1	119643-66900	DIODE	1	
34	1	119650-77911	RELAY ASSY, GLOW	1	
37	1	129211-77920	TIMER	1	

# Section 2: Alternator & voltage regulator (AL)

## 2.1 Statmford SOL1-J1 (AL-01)

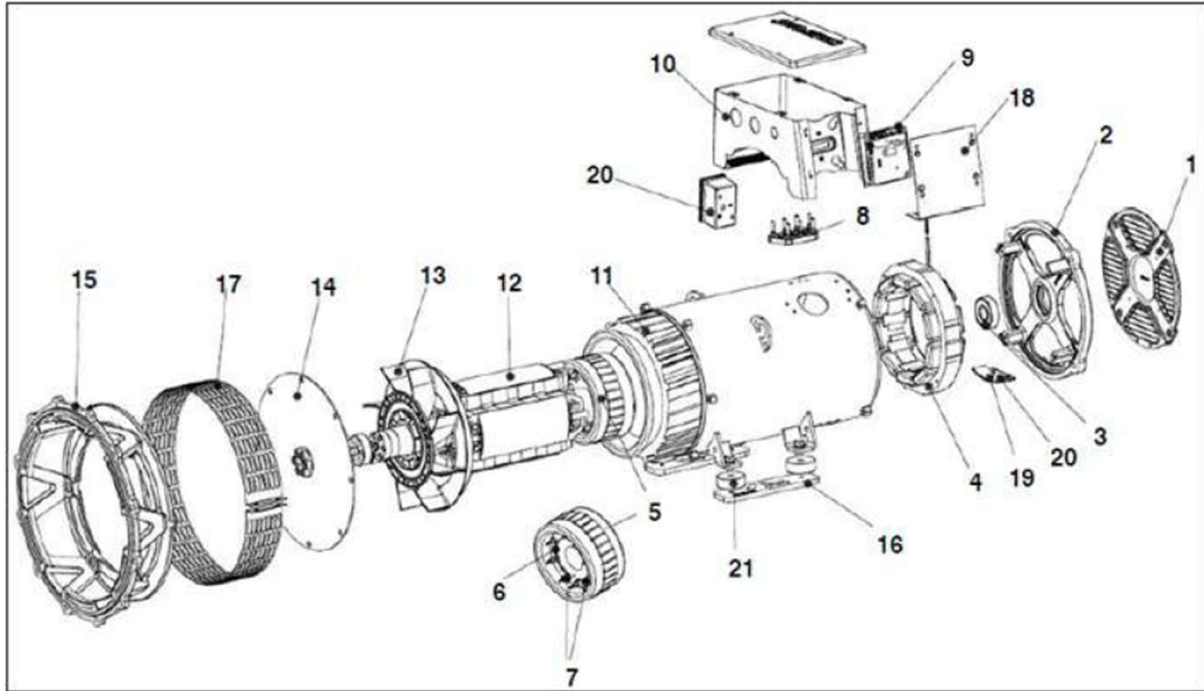


FIGURE 6. SOL1 - ONE BEARING ALTERNATOR PARTS DRAWING

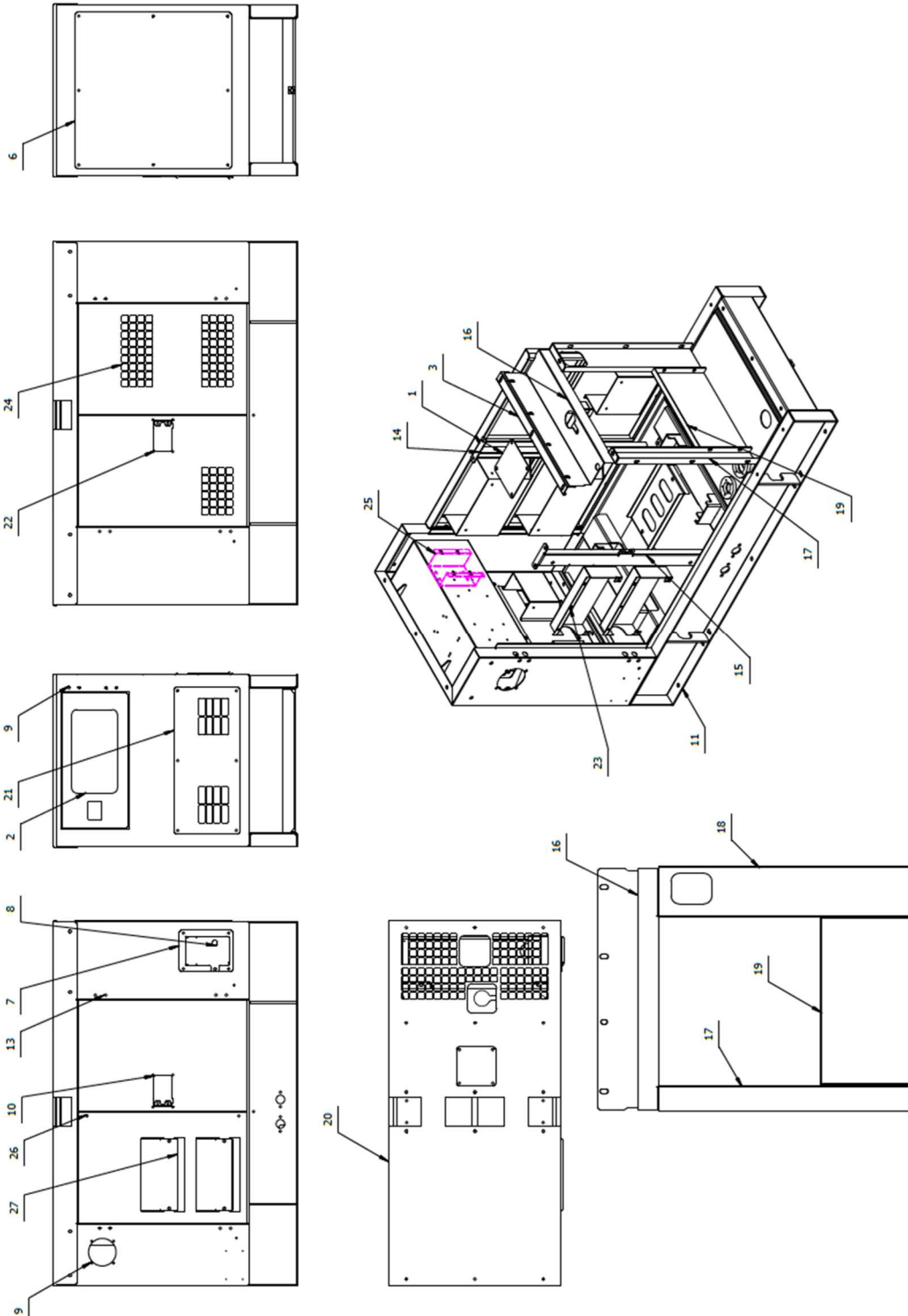
Item No.	RG Part No.	Description	Qty	UOM	Remarks
1	A052E628	Cover, End	1	EA	
2	A051P115	Bracket, End, FO, NDE	1	EA	
3	A054H811	Kit, Bearing, F1, NDE, SOL2, 1 Bearing	1	EA	RSP — Class B
4	A052J112	Exciter Stator 30mm (D,H,J)	1	EA	RSP — Class C
4	A052J113	Exciter Stator 35mm (L,P,S)	1	EA	RSP — Class C
5	A052J677	Exciter Rotor 30mm (D,H,J)	1	EA	
5	A052J678	Exciter Rotor 35mm (L,P,S)	1	EA	
6	A051C308	Rectifier, Rotor, F0	1	EA	RSP — Class B
7	A054H820	Kit, Diode Repair, F1	1	EA	RSP — Class A
8	A054H831	Terminal Board Kit (1 And 3 Phase)	1	EA	
9	A059F437	AVR AS540 Kit	1	EA	RSP — Class A
10	A052X170	Terminal Enclosure, F0, IP23	1	EA	
11	QMSN	Wound Main Stator With Frame Assembly	1	EA	
12	QMSN	Wound Main Rotor With Complete Assembly	1	EA	
13	A052F581	Fan, F0, 1, CTRF250	1	EA	
14	A052W626	Coupling Kit, F0, SAE 10, 1 Bearing	1	EA	
14	A052W676	Coupling Kit, F0, SAE 11.5, 1 Bearing	1	EA	
14	A052W678	Coupling Kit, F0, SAE 7.5, 1 Bearing	1	EA	
14	A053E721	Coupling Kit, F0, SAE 6.5, 1 Bearing	1	EA	

Item No.	RG Part No.	Description	Qty	UOM	Remarks
15	A053E624	Adapter Kit, F0, SAE 5, 1 Bearing	1	EA	
16	A052X624	Generator Base Plate (Foot Plates Only) Kit	1	EA	
17	A054L246	DE Screen SAE 5	1	EA	
18	A052F476	Panel, Terminal Encl, F0, SD, IP23	1	EA	
19	A053L646	Heater Cartridge 25.0W, 12VAC (optional)	1	EA	
19	A053L668	Heater Cartridge 25.0W, 12VAC (optional)	1	EA	
19	A053P092	Heater Cartridge 25.0W, 115VAC (optional)	1	EA	
19	A053P101	Heater Cartridge 25.0W, 230VAC (optional)	1	EA	
20	A054K278	Kit, Heater F0, 12V (optional)	1	EA	
20	A054K280	Kit, Heater F0, 24V (optional)	1	EA	
20	A054K282	Kit, Heater F0, 115V (optional)	1	EA	
20	A054K284	Kit, Heater F0, 230V (optional)	1	EA	
21	A051L180	28mm Height Spacer Block	4	EA	
N/S	45-0280	Anti Fretting Paste	1	EA	RSP

*Technician Notes:* \_\_\_\_\_

# Section 3: Chassis / Frame (CH)

## 3.1 Base Frame Assembly (CH-01)



Item No.	Lev.	Yanmar Part No.	Description	Qty	Remarks
1		RG-CH-02-1001	Acess cover	1	
		RG-CH-02-1002	Bolt hex M8 x 30 mm	4	
		RG-CH-02-1003	Protect washer	4	Plastic
4	n/a	X0285105190	HOLDER ASSY	1	
5	n/a	X0285205030	SPRING	4	
6	n/a	X0282005991	ARMATURE ASSY	1	
7	n/a	X0283006960	CLUTCH ASSY	1	
8	n/a	X4284001590	HOUSING ASSY	1	
9	n/a	X9491050100	BEARING, NEEDLE	1	
10	n/a	X0285007030	FRAME ASSY	1	
11	n/a	X9491040990	BEARING	1	
12	n/a	X0280626010	COVER	1	
13	2	X0284105040	BEARING ASSY	1	
14	3	X9491034330	BEARING	1	
15	2	X0286105010	SHAFT ASSY	1	
16	3	X9491034320	BEARING	1	
17	2	X0286305010	GEAR	3	
18	2	X0286355010	GEAR	1	
19	2	X0287405140	LEVER	1	
20	2	X2534000090	SWITCH ASSY	1	
21	2	X9055715000	RING	1	
22	2	X9490721360	RING	1	
23	2	X0280210331	NUT	1	
24	2	X9490138110	WASHER	1	
25	2	X9490138090	WASHER	1	

Item No.	Lev.	Yanmar Part No.	Description	Qty	Remarks
26	2	X9490138100	WASHER	1	
27	2	X0284525010	PLATE	1	

*Technician Notes:* \_\_\_\_\_

### 3.2 Vibration Isolators (CH-02)

Covers anti-vibration mounts, isolator pads, and mounting bolts between the genset and base frame.

*[Insert Exploded Diagram]*

Item No.	RG Part No.	Description	Qty	UOM	Remarks
—	—	—	—	—	—
—	—	—	—	—	—
—	—	—	—	—	—

*Technician Notes:* \_\_\_\_\_

### 3.3 Lifting and Transport (CH-03)

Covers lifting eyes, forklift channels, transport skid hardware, and tie-down points.

*[Insert Exploded Diagram]*

Item No.	RG Part No.	Description	Qty	UOM	Remarks
—	—	—	—	—	—
—	—	—	—	—	—
—	—	—	—	—	—

*Technician Notes:* \_\_\_\_\_

---

## Section 4: Fuel System (FU)

### 4.1 Fuel Tank and Lines (FU-01)

Covers the fuel tank, fuel level sender, fill cap, vent, supply lines, and return lines.

*[Insert Exploded Diagram]*

Item No.	RG Part No.	Description	Qty	UOM	Remarks
—	—	—	—	—	—
—	—	—	—	—	—
—	—	—	—	—	—

*Technician Notes:* \_\_\_\_\_

## 4.2 Fuel Pump and Filters (FU-02)

Covers the fuel lift pump, primary fuel filter/water separator, secondary fuel filter, and associated fittings.

*[Insert Exploded Diagram]*

Item No.	RG Part No.	Description	Qty	UOM	Remarks
—	—	—	—	—	—
—	—	—	—	—	—
—	—	—	—	—	—

*Technician Notes:* \_\_\_\_\_

## 4.3 Injection System (FU-03)

Covers injection nozzles, injection pipes, leak-off pipes, and nozzle holders as installed on the genset.

*[Insert Exploded Diagram]*

Item No.	RG Part No.	Description	Qty	UOM	Remarks
—	—	—	—	—	—
—	—	—	—	—	—
—	—	—	—	—	—

Technician Notes: \_\_\_\_\_

## 4.4 Fuel Governor and Linkage (FU-04)

Covers the governor linkage, throttle cable, speed-adjust mechanism, and idle/max-speed stop screws.

*[Insert Exploded Diagram]*

Item No.	RG Part No.	Description	Qty	UOM	Remarks
—	—	—	—	—	—
—	—	—	—	—	—
—	—	—	—	—	—

Technician Notes: \_\_\_\_\_

---

## Section 5: Exhaust System (EX)

### 5.1 Exhaust Manifold (EX-01)

Covers the exhaust manifold as installed on the genset, gaskets, studs, and heat shields.

*[Insert Exploded Diagram]*

Item No.	RG Part No.	Description	Qty	UOM	Remarks
—	—	—	—	—	—

Item No.	RG Part No.	Description	Qty	UOM	Remarks
—	—	—	—	—	—
—	—	—	—	—	—

*Technician Notes:* \_\_\_\_\_

## 5.2 Muffler / Silencer (EX-02)

Covers the residential-grade muffler/silencer, inlet and outlet adapters, mounting brackets, and flex connectors.

*[Insert Exploded Diagram]*

Item No.	RG Part No.	Description	Qty	UOM	Remarks
—	—	—	—	—	—
—	—	—	—	—	—
—	—	—	—	—	—

*Technician Notes:* \_\_\_\_\_

## 5.3 Exhaust Piping and Accessories (EX-03)

Covers exhaust piping, rain cap, thimble, clamps, and insulation wrap.

*[Insert Exploded Diagram]*

Item No.	RG Part No.	Description	Qty	UOM	Remarks
—	—	—	—	—	—
—	—	—	—	—	—
—	—	—	—	—	—

*Technician Notes:* \_\_\_\_\_

---

## Section 6: Cooling System (CO)

### 6.1 Radiator and Fan Assembly (CO-01)

Covers the radiator core, shroud, cooling fan, fan guard, and coolant overflow tank.

*[Insert Exploded Diagram]*

Item No.	RG Part No.	Description	Qty	UOM	Remarks
—	—	—	—	—	—
—	—	—	—	—	—
—	—	—	—	—	—

*Technician Notes:* \_\_\_\_\_

## 6.2 Water Pump and Thermostat (CO-02)

Covers the water pump, thermostat housing, thermostat element, gaskets, and V-belt.

*[Insert Exploded Diagram]*

Item No.	RG Part No.	Description	Qty	UOM	Remarks
—	—	—	—	—	—
—	—	—	—	—	—
—	—	—	—	—	—

Technician Notes: \_\_\_\_\_

## 6.3 Hoses, Clamps and Fittings (CO-03)

Covers upper and lower radiator hoses, heater hoses, hose clamps, and coolant fittings.

*[Insert Exploded Diagram]*

Item No.	RG Part No.	Description	Qty	UOM	Remarks
—	—	—	—	—	—
—	—	—	—	—	—
—	—	—	—	—	—

Technician Notes: \_\_\_\_\_

---

## Section 7: Electrical System (EL)

### 7.1 Wiring Harness (EL-01)

Covers the main engine wiring harness, control panel harness, and interconnecting cables.

*[Insert Exploded Diagram]*

Item No.	RG Part No.	Description	Qty	UOM	Remarks
—	—	—	—	—	—
—	—	—	—	—	—
—	—	—	—	—	—

*Technician Notes:* \_\_\_\_\_

### 7.2 Battery and Charging System (EL-02)

Covers the starting battery, battery tray, battery cables, and battery charger/maintainer.

*[Insert Exploded Diagram]*

Item No.	RG Part No.	Description	Qty	UOM	Remarks
—	—	—	—	—	—
—	—	—	—	—	—
—	—	—	—	—	—

Technician Notes: \_\_\_\_\_

### 7.3 Starter Motor and Solenoid (EL-03)

Covers the starter motor, starter solenoid, starter cables, and mounting hardware as installed on the genset.

*[Insert Exploded Diagram]*

Item No.	RG Part No.	Description	Qty	UOM	Remarks
—	—	—	—	—	—
—	—	—	—	—	—
—	—	—	—	—	—

Technician Notes: \_\_\_\_\_

### 7.4 Sensors and Switches (EL-04)

Covers oil pressure switch, coolant temperature sensor, fuel level sender, speed pickup, and emergency stop switch.

*[Insert Exploded Diagram]*

Item No.	RG Part No.	Description	Qty	UOM	Remarks
—	—	—	—	—	—
—	—	—	—	—	—
—	—	—	—	—	—

Technician Notes: \_\_\_\_\_

## 7.5 Circuit Protection (EL-05)

Covers the main circuit breaker, fuses, fuse holders, surge protection devices, and ground fault protection.

*[Insert Exploded Diagram]*

Item No.	RG Part No.	Description	Qty	UOM	Remarks
—	—	—	—	—	—
—	—	—	—	—	—
—	—	—	—	—	—

Technician Notes: \_\_\_\_\_

---

## Section 8: Controller (CT)

### 8.1 Control Panel Assembly (CT-01)

Covers the control panel enclosure, mounting plate, door, latches, and panel-mounted indicators.

*[Insert Exploded Diagram]*

Item No.	RG Part No.	Description	Qty	UOM	Remarks
—	—	—	—	—	—
—	—	—	—	—	—
—	—	—	—	—	—

*Technician Notes:* \_\_\_\_\_

## 8.2 Display and Interface (CT-02)

Covers the LCD/LED display module, keypad, status LEDs, and user interface board.

***[Insert Exploded Diagram]***

Item No.	RG Part No.	Description	Qty	UOM	Remarks
—	—	—	—	—	—
—	—	—	—	—	—
—	—	—	—	—	—

*Technician Notes:* \_\_\_\_\_

## 8.3 Controller Module and PCB (CT-03)

Covers the main controller module (ECU), printed circuit board, connectors, and firmware chip.

***[Insert Exploded Diagram]***

Item No.	RG Part No.	Description	Qty	UOM	Remarks
—	—	—	—	—	—
—	—	—	—	—	—
—	—	—	—	—	—

*Technician Notes:* \_\_\_\_\_

## 8.4 Transfer Switch Components (CT-04)

Covers automatic transfer switch (ATS) contactor, control relay, utility sensing board, and time-delay module.

*[Insert Exploded Diagram]*

Item No.	RG Part No.	Description	Qty	UOM	Remarks
—	—	—	—	—	—
—	—	—	—	—	—
—	—	—	—	—	—

*Technician Notes:* \_\_\_\_\_

## 8.5 Communication Modules (CT-05)

Covers RS-485, Modbus, Wi-Fi, and cellular communication modules for remote monitoring integration.

*[Insert Exploded Diagram]*

Item No.	RG Part No.	Description	Qty	UOM	Remarks
—	—	—	—	—	—
—	—	—	—	—	—
—	—	—	—	—	—

*Technician Notes:* \_\_\_\_\_

## Section 9: Enclosure (EC)

### 9.1 Panels and Doors (EC-01)

Covers side panels, top panel, rear panel, access doors, and structural framing of the sound-attenuated enclosure.

*[Insert Exploded Diagram]*

Item No.	RG Part No.	Description	Qty	UOM	Remarks
—	—	—	—	—	—
—	—	—	—	—	—
—	—	—	—	—	—

*Technician Notes:* \_\_\_\_\_

## 9.2 Latches, Hinges and Hardware (EC-02)

Covers door latches, locking handles, hinges, gas struts, rubber seals, and captive fasteners.

*[Insert Exploded Diagram]*

Item No.	RG Part No.	Description	Qty	UOM	Remarks
—	—	—	—	—	—
—	—	—	—	—	—
—	—	—	—	—	—

Technician Notes: \_\_\_\_\_

## 9.3 Sound Attenuation (EC-03)

Covers acoustic foam panels, barrier mats, vibration-damping pads, and intake/exhaust silencer baffles.

*[Insert Exploded Diagram]*

Item No.	RG Part No.	Description	Qty	UOM	Remarks
—	—	—	—	—	—
—	—	—	—	—	—
—	—	—	—	—	—

Technician Notes: \_\_\_\_\_

## 9.4 Ventilation and Weather Protection (EC-04)

Covers air intake louvers, exhaust louvers, rain hoods, insect screens, and weather seals.

*[Insert Exploded Diagram]*

Item No.	RG Part No.	Description	Qty	UOM	Remarks
—	—	—	—	—	—
—	—	—	—	—	—
—	—	—	—	—	—

Technician Notes: \_\_\_\_\_

---

## Section 10: Options and Accessories (OP)

### 10.1 Remote Monitoring Kit (OP-01)

Covers the remote monitoring gateway, antenna, cables, and mounting hardware for cellular/Wi-Fi-based remote genset monitoring.

*[Insert Exploded Diagram]*

Item No.	RG Part No.	Description	Qty	UOM	Remarks
—	—	—	—	—	—
—	—	—	—	—	—
—	—	—	—	—	—

Technician Notes: \_\_\_\_\_

## 10.2 Extended Run Fuel System (OP-02)

Covers auxiliary fuel tank, fuel transfer pump, float valve, extended fuel lines, and day-tank assembly.

*[Insert Exploded Diagram]*

Item No.	RG Part No.	Description	Qty	UOM	Remarks
—	—	—	—	—	—
—	—	—	—	—	—
—	—	—	—	—	—

Technician Notes: \_\_\_\_\_

## 10.3 Cold Weather Package (OP-03)

Covers block heater, battery blanket/heater, cold-start aid, thermostatically controlled louvers, and insulated enclosure panels.

*[Insert Exploded Diagram]*

Item No.	RG Part No.	Description	Qty	UOM	Remarks
—	—	—	—	—	—
—	—	—	—	—	—
—	—	—	—	—	—

Technician Notes: \_\_\_\_\_

## 10.4 Parallel Operation Kit (OP-04)

Covers the paralleling controller, load-sharing module, synchronization cables, and bus-bar interconnection hardware.

*[Insert Exploded Diagram]*

Item No.	RG Part No.	Description	Qty	UOM	Remarks
—	—	—	—	—	—
—	—	—	—	—	—
—	—	—	—	—	—

Technician Notes: \_\_\_\_\_

## 10.5 Custom and Field-Installed Options (OP-05)

Covers customer-specified options and field-installed accessories not included in the standard genset configuration.

*[Insert Exploded Diagram]*

Item No.	RG Part No.	Description	Qty	UOM	Remarks
—	—	—	—	—	—

Item No.	RG Part No.	Description	Qty	UOM	Remarks
—	—	—	—	—	—
—	—	—	—	—	—

*Technician Notes:* \_\_\_\_\_

## Appendices

### Appendix A — Recommended Spare Parts Kits

#### Maintenance Kit (250-Hour Service)

Kit Part No.	Description	Contains	Recommended For
RG-KT-01-001	250-Hour Maintenance Kit	Engine oil filter, fuel filter, air filter element, V-belt, oil drain washer, O-rings	Every 250 operating hours or annual service

#### Overhaul Kit

Kit Part No.	Description	Contains	Recommended For
RG-KT-02-001	Engine Overhaul Kit	Head gasket set, piston ring sets (x3), main bearings, connecting rod bearings, valve stem seals, thermostat, water pump gasket	Major overhaul at 5,000–8,000 hours

#### Emergency Kit

Kit Part No.	Description	Contains	Recommended For
RG-KT-03-001	Emergency Spares Kit	Fuel filter, oil filter, V-belt, coolant hose set, fuse set, glow plugs (x3), thermostat, oil pressure switch	On-site emergency stock for critical installations

## Appendix B — Torque Specifications

Component	Thread Size	Torque (Nm)	Torque (ft-lb)	Notes
Cylinder Head Bolts	M10	59	43.5	Tighten in sequence per Yanmar service manual; lightly oiled threads
Connecting Rod Bolts	M8	29.4	21.7	Lightly oiled threads; verify bearing clearance after assembly
Flywheel Bolts	M10	93.2	68.7	Apply thread-locking compound; cross-torque pattern
Exhaust Manifold Studs	M8	23.5	17.3	Anti-seize on studs; retorque after first 50 hours
Main Bearing Cap Bolts	M10	78.5	57.9	Lightly oiled threads; verify bearing clearance
Fuel Injection Nozzle	M20	58.8	43.4	Replace copper washer at each installation
Injection Pipe Nuts	M12	29.4	21.7	Do not overtighten; check for leaks at idle
Oil Sump Bolts	M8	23.5	17.3	Even torque sequence; replace gasket each time
Crankshaft Pulley Bolt	M12	107.9	79.6	Apply thread-locking compound
Glow Plugs	M10	15	11.1	Do not overtighten; anti-seize on threads

## Appendix C — Fluid Capacities and Specifications

System	Capacity	Specification	Notes
Engine Oil	3.1 L (3.3 US qt)	API CI-4 or higher, SAE 15W-40 (standard), SAE 10W-30 (cold climate)	Check level daily; change every 250 hours or annually
Coolant	3.7 L (3.9 US qt)	Ethylene glycol based, 50/50 pre-mixed, meeting ASTM D6210	Replace every 2 years or 1,000 hours; do not mix coolant types
Fuel Tank	25 L (6.6 US gal)	No. 2 Diesel (ASTM D975) or EN 590 Diesel; ULSD preferred	Drain water separator weekly; treat with stabilizer if stored > 30 days

## Appendix D — OEM Cross-Reference Index

The following table provides a cross-reference between Yanmar OEM part numbers and Royalgen catalog numbers for commonly ordered items. For a complete cross-reference, contact Royalgen Customer Support.

Yanmar Part No.	RG Part No.	Description	Fig. Ref.
119305-35170	RG-EN-08-017	FILTER ASSY, OIL	Fig. 8, Item 17
119E10-01330	RG-EN-01-027	GASKET SET, HEAD	Fig. 1, Item 27
25132-003600	RG-EN-09-018	V-BELT, A36	Fig. 9, Item 18
119717-49800	RG-EN-09-023	THERMOSTAT, 71	Fig. 9, Item 23
119717-77810	RG-EN-04-056	PLUG, GLOW 12V	Fig. 4, Item 56-1
119517-53001	RG-EN-12-001	VALVE ASSY, INJECTION	Fig. 12, Item 1

## Appendix E — Alphabetical Parts Index

*To be generated from final parts data. Index will list all parts alphabetically with part number and section reference.*

Placeholder

This index will be compiled automatically from the completed parts database. It will include all parts listed in Sections 1 through 10, sorted alphabetically by description, with corresponding part numbers and section/figure references for quick lookup.

---

## Revision History

Rev.	Date	Description	Author
A	April 2026	Initial release	Royalgen Engineering

© 2026 Royalgen. All rights reserved.

Catalog Reference: RG-CAT-RGM08Y-001 — Revision A — April 2026

This document is the property of Royalgen and is intended for authorized service personnel only.