



Model	RGS42Y
KW	42
Voltage	120/240
Frequency	60HZ



RATING

Voltage	Emergency	PF	KVA	KWE Prime	KVA	Amp Emergency
120/240	42	1	42	38	38	175

Standard features

- Pure reliable emergency power source
- Yanmar Prime power legendary reliability
- Built with Stamford best in class alternator
- 100% Block load capable
- Built as per CSA standard with CSA components
- 12V Glow plug
- Electronic control fuel injection
- 6A Smartgen battery charger
- Standard circulation engine heater 120V 1500W
- Quick oil & coolant drain system
- 250 litres (24H @ 75%) fuel tank
- Low fuel level alarm,
- LED service light in the engine compartment
- Emission Compliance: Tier 3 Stationary Emergency



POWERED by
YANMAR™



Model	RGS42Y
KW	42
Voltage	120/240
Frequency	60HZ

Engine specification

Make	Yanmar
Model	4TNV98T-ZGGES
Cylinder	4
Displacement	3319cc
Bore & Stroke	98 X 110 mm
Compression	18.1 @ 1
Aspiration	Turbo
Injection type	Direct
Speed	1800 RPM
Emergency power	50,4 (KW)
Regulation	3,00%
Governor	Electronic

Fuel consumption

Fuel tank	250 L	(Emergency)
Consumption at 25%	5,5 L/H	
Consumption at 50%	7 L/H	
Consumption at 75%	10,2 L/H	
Consumption at 100%	13,6 L/H	

Sound Level full load

1 meter	67dB
7 meters	62 dB

Alternator

Manufacturer	Stamford
Model	UCI224D
Insulation	Class H
Protection	IP23
Over speed (max 2 min)	2250 TPM
Distortion	< 5%
Bearing Qt	1
Winding	4 Fils

Warranty

Yanmar Engine	<u>24 months / 2000 H</u>
Stamford (standby)	36 months
Generator	12 months / 1500H

Option

<input type="checkbox"/>	Automatic transfer switch
<input type="checkbox"/>	External fuel tank connection
<input type="checkbox"/>	Choice of colors

Cooling

Capacity	12.5L
Coolant type	Yanmar LL
Fan power	0,7 KW
Radiator cap pressure	13 PSI

Controller

Manufacturer	Deep Sea
Model	DSE4620-06
Starting	Auto / Manual
Exercise	Yes programmable

Air intake

Max restriction	2,9 kPa
-----------------	---------

Lubrication

Oil capacity	11,2 Litre
Oil shut down	7 psi
Oil presure normal	50 psi
Oil change	250 Hours

Weight & dimention

Length	2300 mm
Width	900 mm
Height	1370 mm
Weight	1065 kg

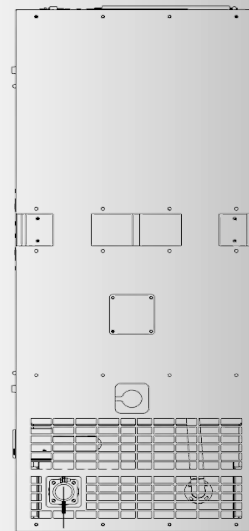
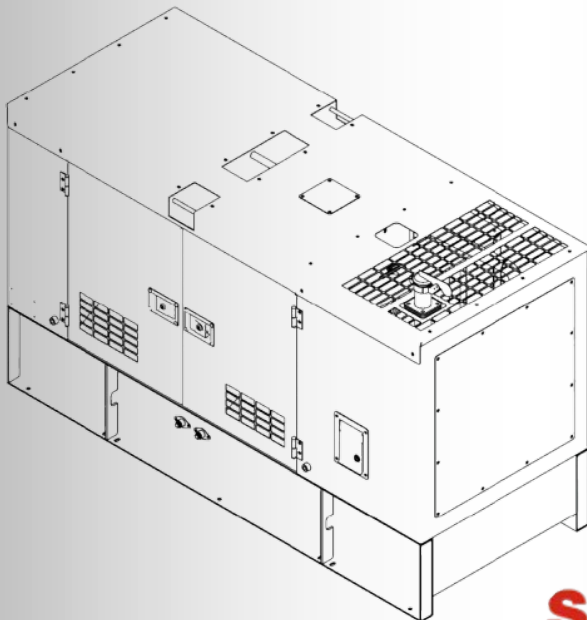
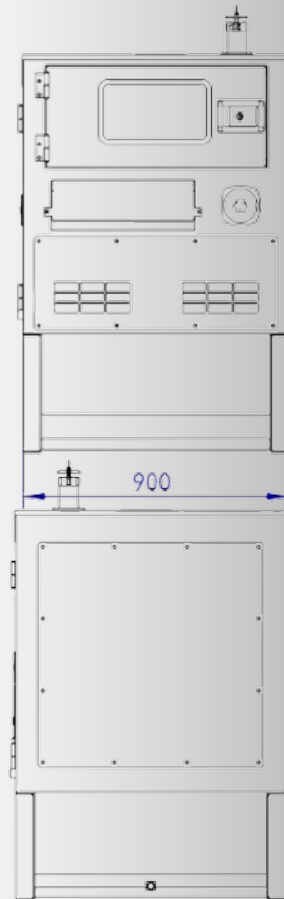
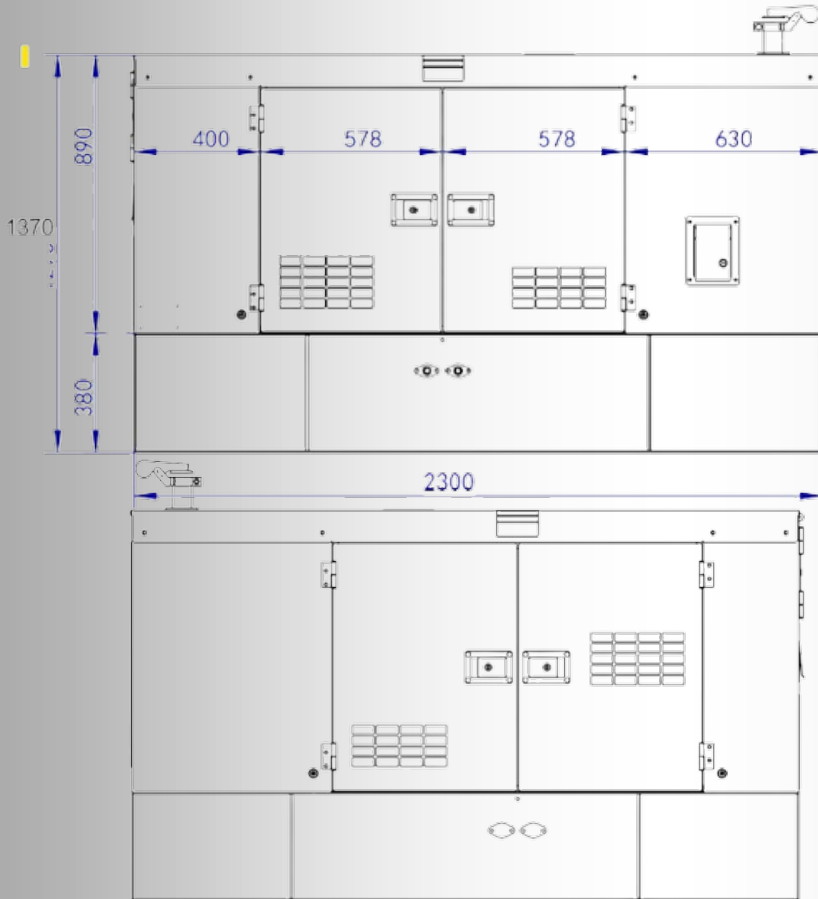
Exhaust

Exhaust flow	N/D
Exhaust temp	N/D
Max restriction	1.42 PSI





Model	RGS42Y
KW	42
Voltage	120/240
Frequency	60HZ



STAMFORD | AvK™