



Model	RGS35Y
KW	35
Voltage	120/240
Frequency	60HZ



RATING

Voltage	Emergency	PF	KVA	KWE Prime	KVA	Amp Emergency
120/240	35	1	35	32	32	145

Standard features

- Pure reliable emergency power source
- Yanmar Prime power legendary reliability
- Built with Stamford best in class alternator
- 100% Block load capable
- Built to CSA standard with CSA components
- 12V Glow plug
- Electronic controled mechanical fuel injection
- 6A Smartgen battery charger
- Standard circulation engine heater 120V 1500W
- Quick oil & coolant drain system
- 200 litres (24H @ 75%) fuel tank
- Low fuel level alarm
- LED service light in the engine compartment
- Emission Compliance: Tier 3 Stationary Emergency



POWERED by
YANMAR™



Model	RGS35Y
KW	35
Voltage	120/240
Frequency	60HZ

Engine specification

Make	Yanmar
Model	4TNV98-ZGGES
Cylinder	4
Displacement	3319cc
Bore & Stroke	98 X 110 mm
Compression	18.5 : 1
Aspiration	Natural
Injection type	Direct
Speed	1800 RPM
Emergency power	40.8 (KW)
Regulation	3%
Governor	Electronic

Fuel consumption

Fuel tank 200 L	<u>(Emergency)</u>
Consumption at 25%	4,46 L/H
Consumption at 50%	5,65 L/H
Consumption at 75%	8,25 L/H
Consumption at 100%	11 L/H

Sound Level full load

1 meter	69 dB
7 meters	62 dB

Alternator

Manufacturer	Stamford
Model	S1L2-K1
Insulation	Class H
Protection	IP23
Over speed (max 2 min)	2250 TPM
Distortion	< 5%
Bearing Qt	1
Winding	4 Fils

Warranty

Yanmar Engine	<u>24 months / 2000 H</u>
Stamford (standby)	36 months
Generator	12 months / 1500H

Cooling

Capacity	12.5L
Coolant type	Yanmar LL
Fan power	0,7 KW
Radiator cap pressure	13 PSI

Option

<input type="checkbox"/>	Automatic transfer switch
<input type="checkbox"/>	External fuel tank connection
<input type="checkbox"/>	Choice of colors

Controler

Manufacturer	Deep Sea
Model	DSE4520
Starting	Auto / Manual
Exercise	Yes programmable

Air intake

Max restriction	2,9 kPa
-----------------	---------

Lubrication Weight & dimention

Oil capacity	10.5 Litre	Length	2205 mm
Oil shut down	7 psi	Width	855 mm
Oil presure normal	50 psi	Height	1230 mm
Oil change	250 Hours	Weight	975 kg

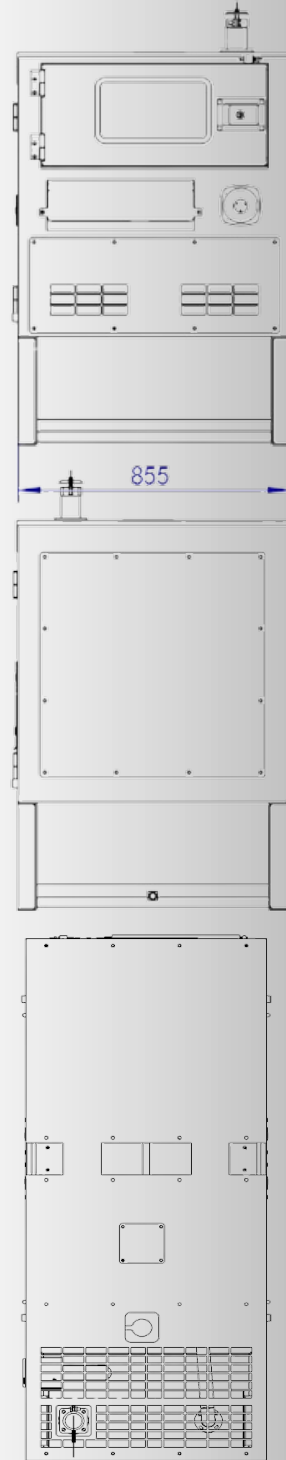
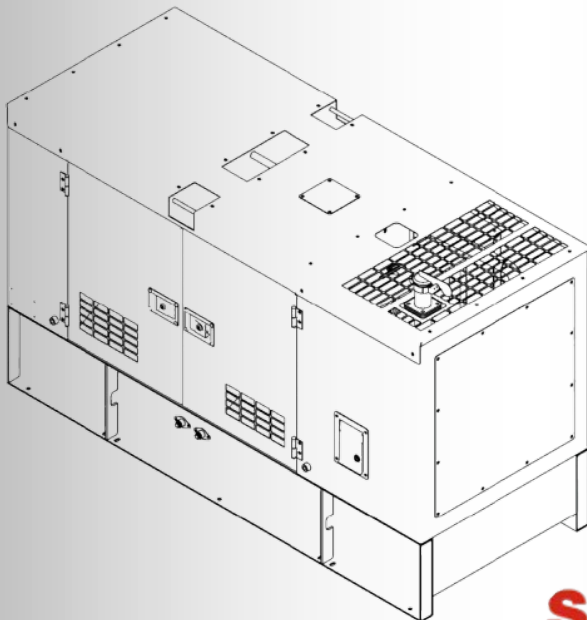
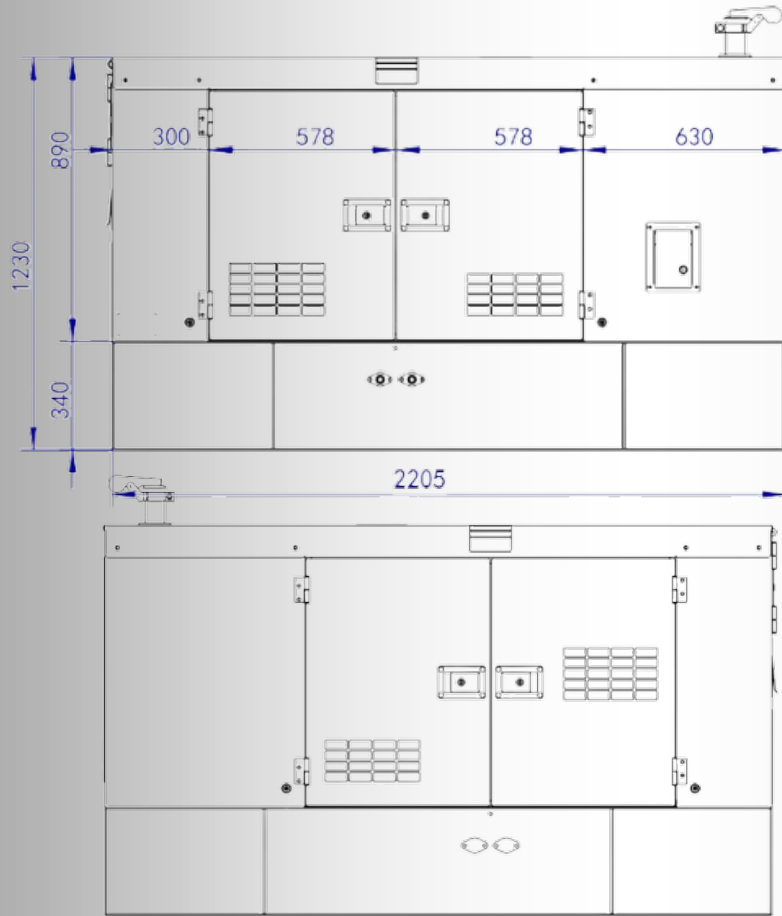
Exhaust

Exhaust flow	N/D
Exhaust temp	N/D
Max restriction	1.42 PSI





Model	RGS35Y
KW	35
Voltage	120/240
Frequency	60HZ



STAMFORD | AvK™